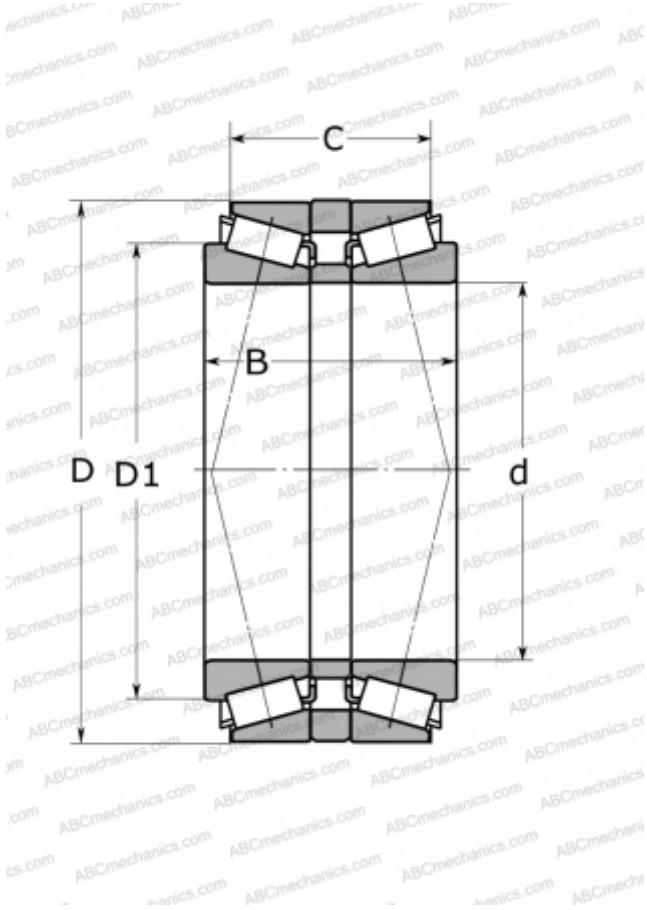


32017T66 X/QDB/C280 SKF

Tapered roller bearings

TYPE: Roller bearings, Tapered, Single row, matched bearings, Back-to-back (SKF)



Technical specification

DIMENSIONS, MM

d	85,000
D	130,000
D1	108,000
B	66,000
C	52,000

WEIGHT, KG

2,700

MANUFACTURER

[SKF](#)

CALCULATION DATA

Basic dynamic load rating, C	238,000 kN
Basic static load rating, Co	450,000 kN
Fatigue load limit, Pu	51,000 kN
Reference speed	2800 r/min
Limiting speed	4800 r/min