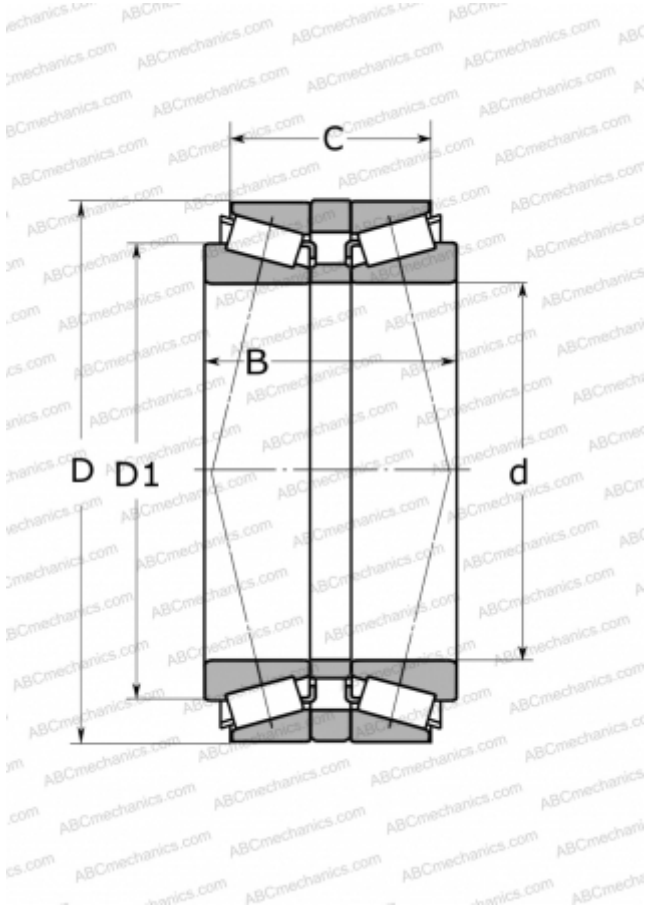


30217T71 J2/QDB SKF

Tapered roller bearings

TYPE: Roller bearings, Tapered, Single row, matched bearings, Back-to-back (SKF)



Technical specification

DIMENSIONS, MM

d	85,000
D	150,000
D1	112,000
B	71,000
C	58,500

WEIGHT, KG

4,100

MANUFACTURER

[SKF](#)

CALCULATION DATA

Basic dynamic load rating, C	303,000 kN
Basic static load rating, Co	440,000 kN
Fatigue load limit, Pu	51,000 kN
Reference speed	2600 r/min
Limiting speed	4300 r/min