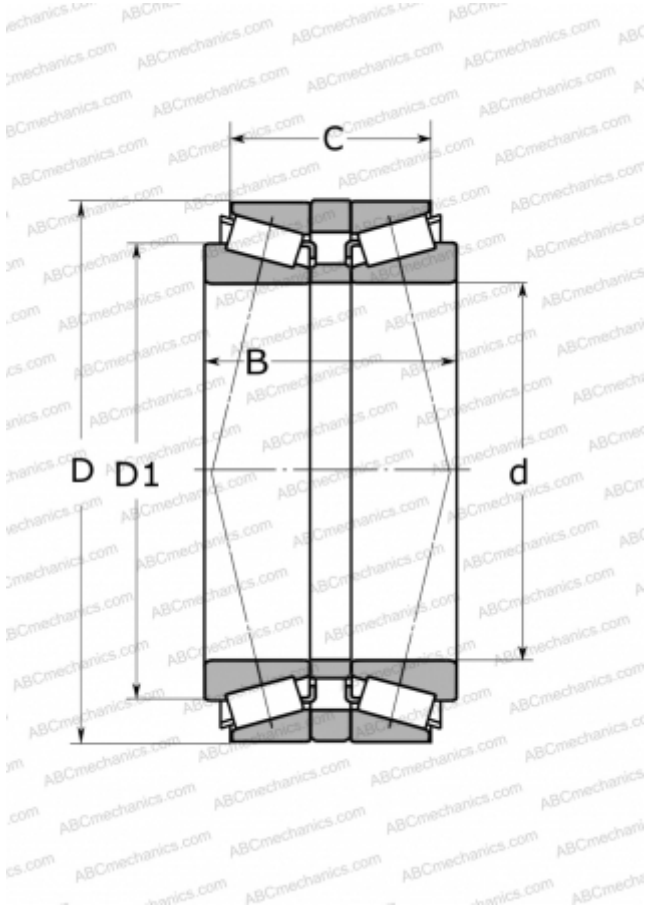


32220T140 J2/DB11 SKF

Tapered roller bearings

TYPE: Roller bearings, Tapered, Single row, matched bearings, Back-to-back (SKF)



Technical specification

DIMENSIONS, MM

| | |
|----|---------|
| d | 100,000 |
| D | 180,000 |
| D1 | 135,000 |
| B | 140,000 |
| C | 120,000 |

WEIGHT, KG

12,500

MANUFACTURER

[SKF](#)

CALCULATION DATA

| | |
|------------------------------|------------|
| Basic dynamic load rating, C | 539,000 kN |
| Basic static load rating, Co | 880,000 kN |
| Fatigue load limit, Pu | 96,500 kN |
| Reference speed | 2200 r/min |
| Limiting speed | 3600 r/min |