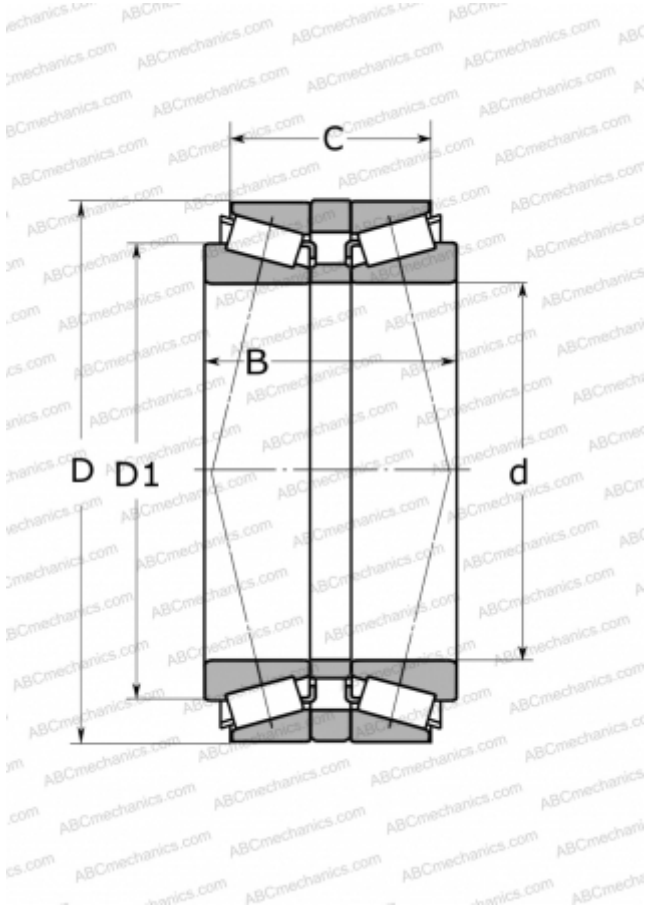


32022T84 X/QDBC200 SKF

Tapered roller bearings

TYPE: Roller bearings, Tapered, Single row, matched bearings, Back-to-back (SKF)



Technical specification

DIMENSIONS, MM

d	110,000
D	170,000
D1	140,000
B	84,000
C	66,000

WEIGHT, KG

6,500

MANUFACTURER

[SKF](#)

CALCULATION DATA

Basic dynamic load rating, C	402,000 kN
Basic static load rating, Co	780,000 kN
Fatigue load limit, Pu	85,000 kN
Reference speed	2200 r/min
Limiting speed	3600 r/min