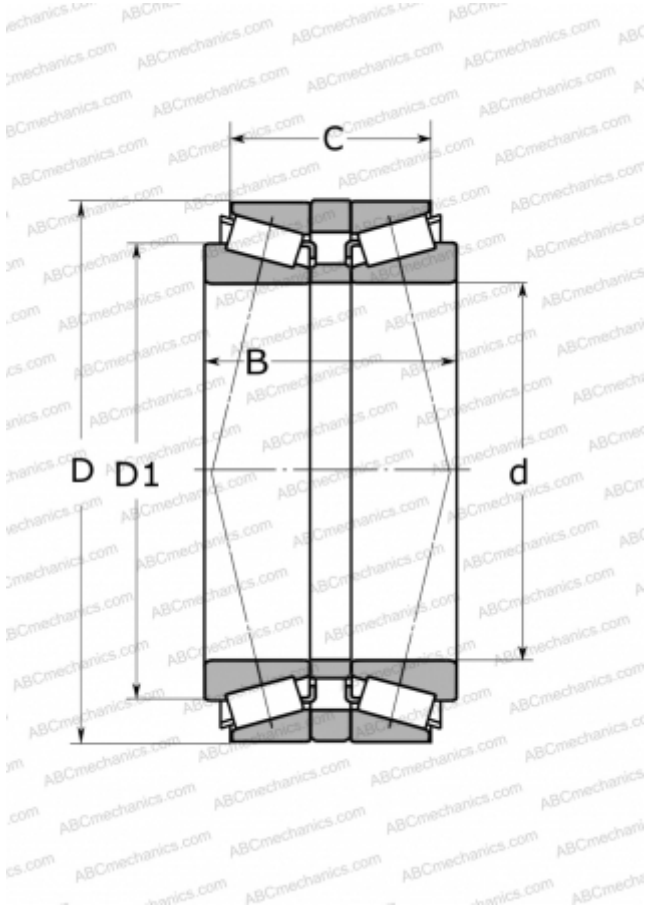


## 30326T142 J2/DB11C150 SKF

Tapered roller bearings

TYPE: Roller bearings, Tapered, Single row, matched bearings, Back-to-back (SKF)



### Technical specification

#### DIMENSIONS, MM

d	130,000
D	280,000
D1	196,000
B	142,000
C	112,500

#### WEIGHT, KG

36,500

#### MANUFACTURER

[SKF](#)

#### CALCULATION DATA

Basic dynamic load rating, C	1080,000 kN
Basic static load rating, Co	1600,000 kN
Fatigue load limit, Pu	166,000 kN
Reference speed	1400 r/min
Limiting speed	2400 r/min