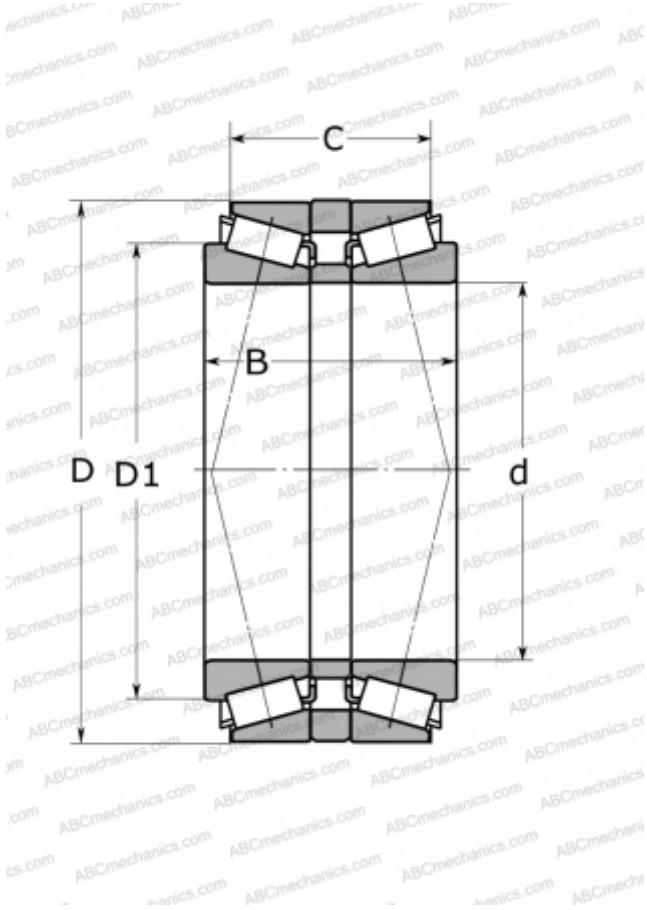


32028T130 X/QDB SKF

Tapered roller bearings

TYPE: Roller bearings, Tapered, Single row, matched bearings, Back-to-back (SKF)



Technical specification

DIMENSIONS, MM

d	140,000
D	210,000
D1	175,000
B	130,000
C	108,000

WEIGHT, KG

12,700

MANUFACTURER

[SKF](#)

CALCULATION DATA

Basic dynamic load rating, C	561,000 kN
Basic static load rating, Co	1160,000 kN
Fatigue load limit, Pu	116,000 kN
Reference speed	1700 r/min
Limiting speed	2800 r/min