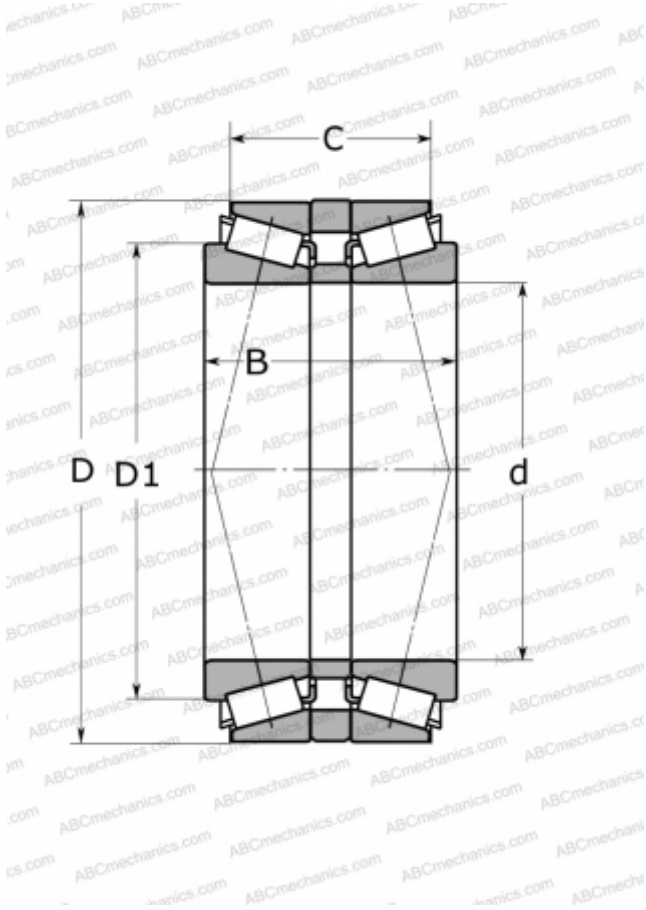


## 32230T168 J2/DB SKF

Tapered roller bearings

TYPE: Roller bearings, Tapered, Single row, matched bearings, Back-to-back (SKF)



### Technical specification

#### DIMENSIONS, MM

d	150,000
D	270,000
D1	205,000
B	168,000
C	134,000

#### WEIGHT, KG

38,000

#### MANUFACTURER

[SKF](#)

#### CALCULATION DATA

Basic dynamic load rating, C	1250,000 kN
Basic static load rating, Co	2280,000 kN
Fatigue load limit, Pu	224,000 kN
Reference speed	1400 r/min
Limiting speed	2400 r/min