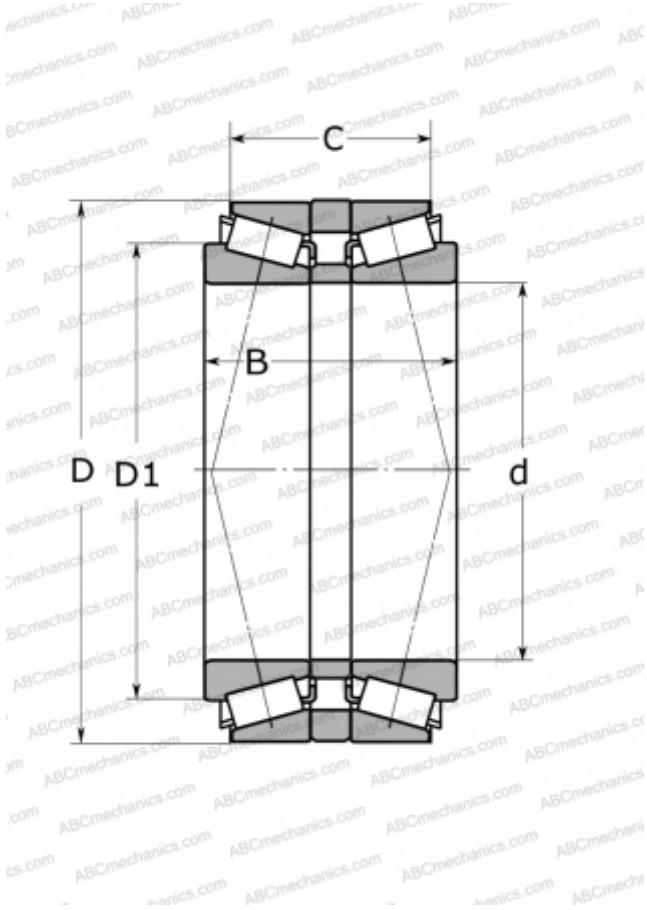


## 32038T146 X/DBC220 SKF

Tapered roller bearings

TYPE: Roller bearings, Tapered, Single row, matched bearings, Back-to-back (SKF)



### Technical specification

#### DIMENSIONS, MM

d	190,000
D	290,000
D1	240,000
B	146,000
C	114,000

#### WEIGHT, KG

31,500

#### MANUFACTURER

[SKF](#)

#### CALCULATION DATA

Basic dynamic load rating, C	1120,000 kN
Basic static load rating, Co	2400,000 kN
Fatigue load limit, Pu	224,000 kN
Reference speed	1200 r/min
Limiting speed	2000 r/min