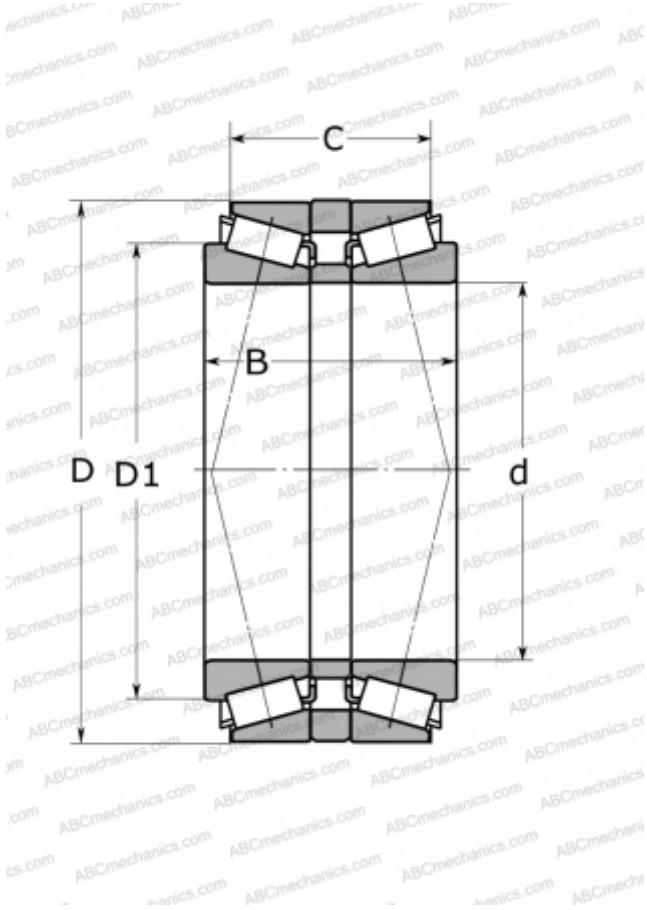


32038T183 X/DB31C330 SKF

Tapered roller bearings

TYPE: Roller bearings, Tapered, Single row, matched bearings, Back-to-back (SKF)



Technical specification

DIMENSIONS, MM

d	190,000
D	290,000
D1	240,000
B	183,000
C	151,000

WEIGHT, KG

32,500

MANUFACTURER

[SKF](#)

CALCULATION DATA

Basic dynamic load rating, C	1120,000 kN
Basic static load rating, Co	2400,000 kN
Fatigue load limit, Pu	224,000 kN
Reference speed	1200 r/min
Limiting speed	2000 r/min