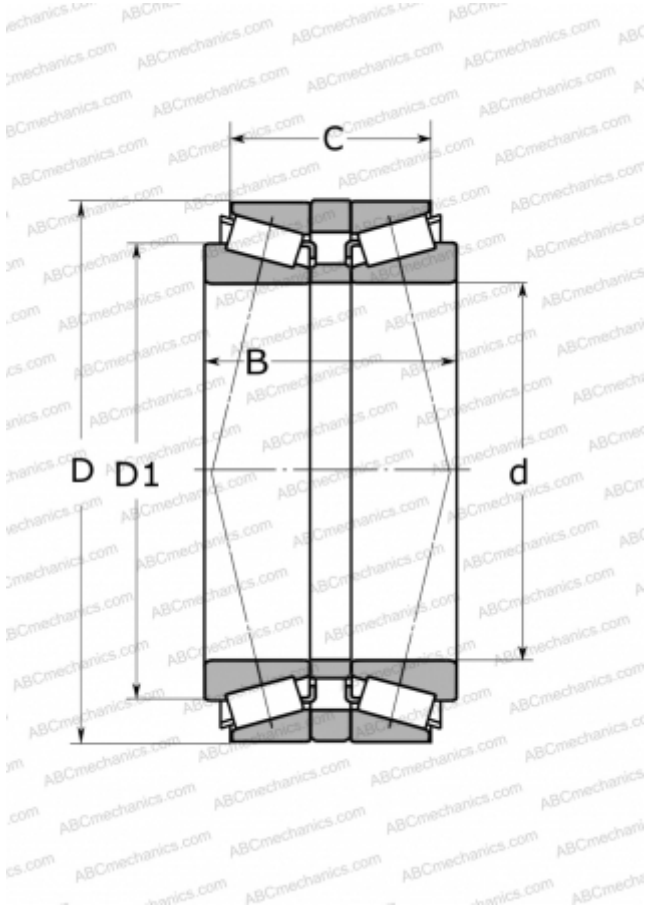


32040T154 SKF

Tapered roller bearings

TYPE: Roller bearings, Tapered, Single row, matched bearings, Back-to-back (SKF)



Technical specification

DIMENSIONS, MM

d	200,000
D	310,000
D1	254,000
B	154,500
C	120,500

WEIGHT, KG

39,500

MANUFACTURER

[SKF](#)

CALCULATION DATA

Basic dynamic load rating, C	1280,000 kN
Basic static load rating, Co	2750,000 kN
Fatigue load limit, Pu	255,000 kN
Reference speed	1100 r/min
Limiting speed	1900 r/min