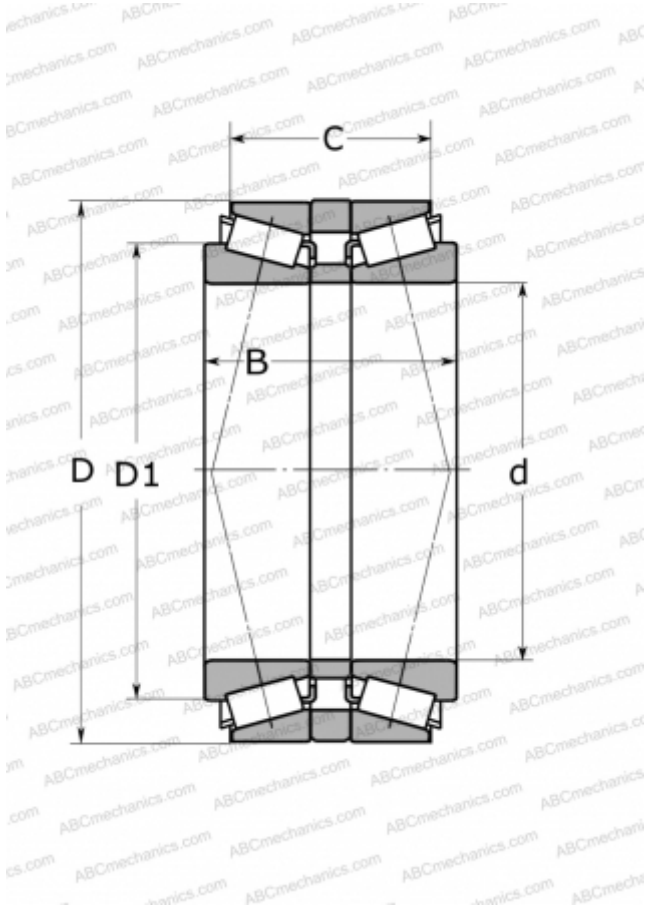


32248T284 J3/DB SKF

Tapered roller bearings

TYPE: Roller bearings, Tapered, Single row, matched bearings, Back-to-back (SKF)



Technical specification

DIMENSIONS, MM

d	240,000
D	440,000
D1	346,000
B	284,000
C	230,000

WEIGHT, KG

180,000

MANUFACTURER

[SKF](#)

CALCULATION DATA

Basic dynamic load rating, C	3300,000 kN
Basic static load rating, Co	6550,000 kN
Fatigue load limit, Pu	550,000 kN
Reference speed	800 r/min
Limiting speed	1400 r/min