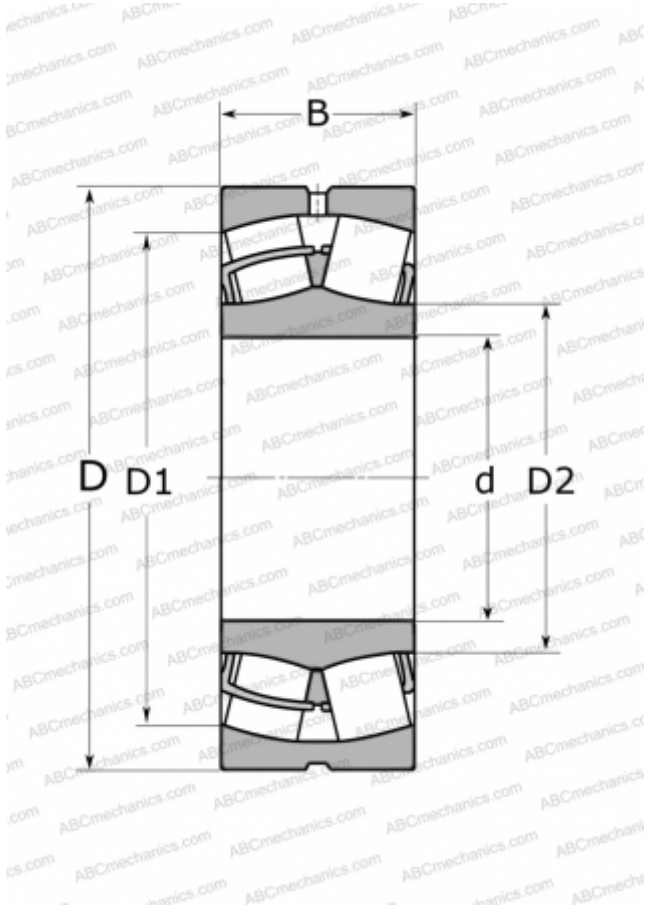


21305 CC SKF

Spherical roller bearings

TYPE: Roller bearings, Spherical, Double row, Radial, self-aligning



Technical specification

DIMENSIONS, MM

d	25,000
D	62,000
D1	50,700
D2	35,700
B	17,000

WEIGHT, KG

0,280

MANUFACTURER

[SKF](#)

INTERCHANGE

ABC	21305
FAG	21305 E TVPB
TORRINGTON	21305 VCSJ

CALCULATION DATA

Basic dynamic load rating, C	41,400 kN
Basic static load rating, Co	41,500 kN
Fatigue load limit, Pu	4,550 kN
Reference speed	8500 r/min
Limiting speed	12000 r/min