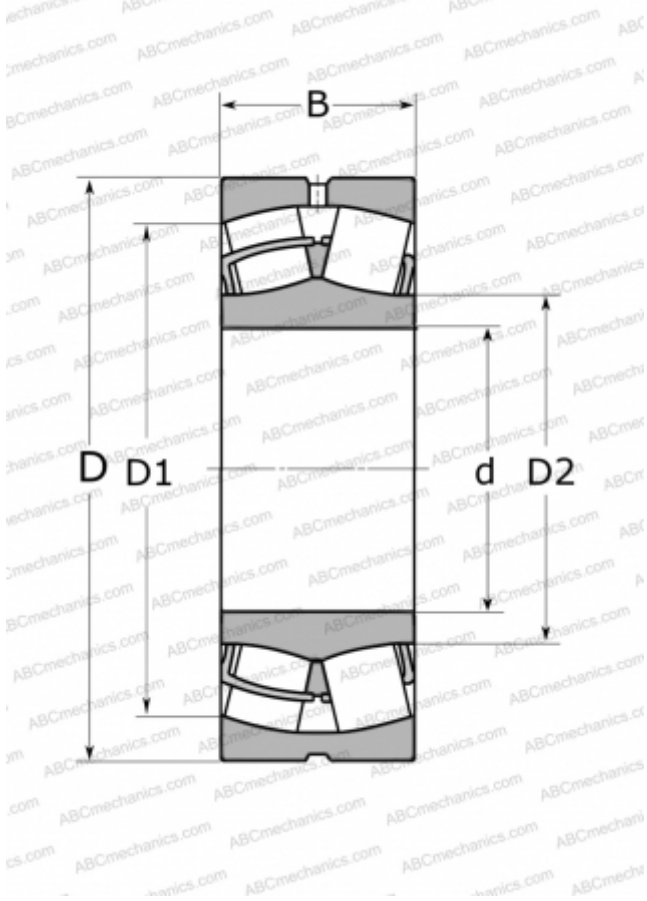


## 21310 E SKF

Spherical roller bearings

TYPE: Roller bearings, Spherical, Double row, Radial, self-aligning



### Technical specification

#### DIMENSIONS, MM

d	50,000
D	110,000
D1	96,800
D2	71,600
B	27,000

#### WEIGHT, KG

1,350

#### MANUFACTURER

[SKF](#)

#### INTERCHANGE

ABC	<a href="#">21310</a>
FAG	<a href="#">21310 E TVPB</a>
TORRINGTON	<a href="#">21310 VCSJ</a>

#### CALCULATION DATA

Basic dynamic load rating, C	156,000 kN
Basic static load rating, Co	166,000 kN
Fatigue load limit, Pu	18,600 kN
Reference speed	5600 r/min
Limiting speed	7500 r/min