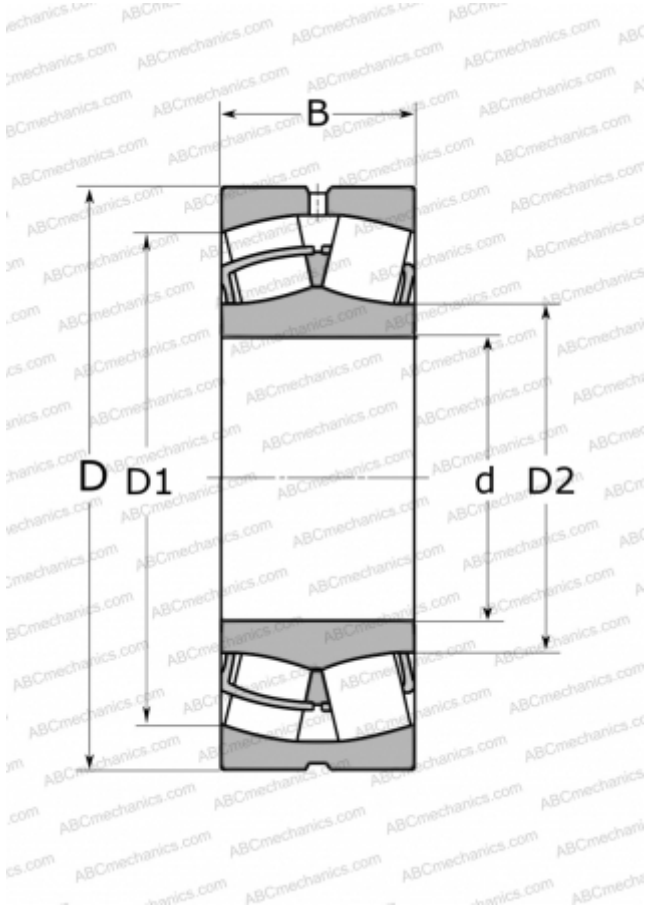


22311 E SKF

Spherical roller bearings

TYPE: Roller bearings, Spherical, Double row, Radial, self-aligning



Technical specification

DIMENSIONS, MM

d	55,000
D	120,000
D1	102,000
D2	70,100
B	43,000

WEIGHT, KG

2,450

MANUFACTURER

[SKF](#)

INTERCHANGE

ABC	22311 W33
FAG	22311 S MB
TORRINGTON	22311(55 SD 23)

CALCULATION DATA

Basic dynamic load rating, C	270,000 kN
Basic static load rating, Co	280,000 kN
Fatigue load limit, Pu	30,000 kN
Reference speed	4300 r/min
Limiting speed	5600 r/min