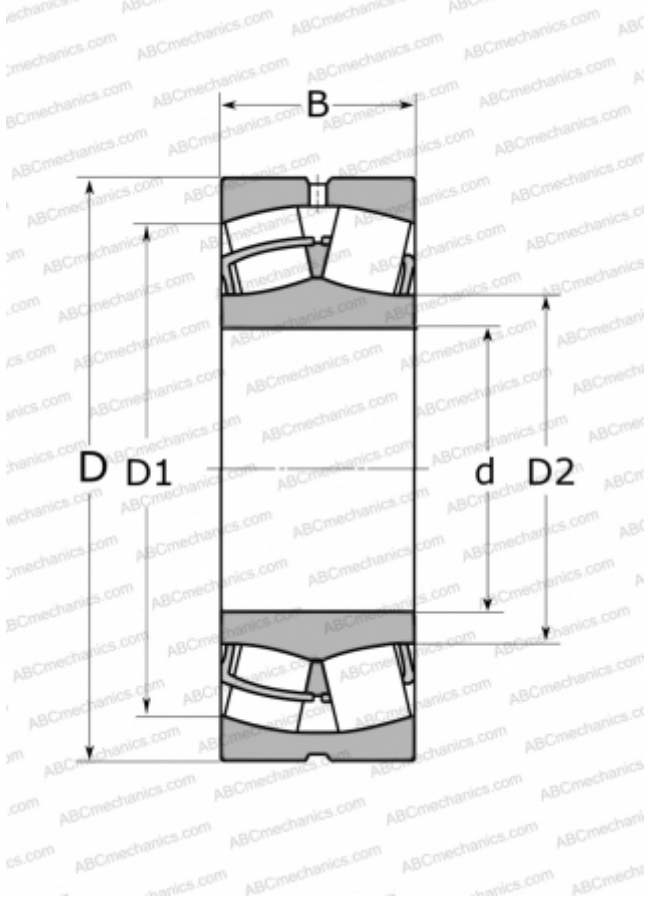


22212 E SKF

Spherical roller bearings

TYPE: Roller bearings, Spherical, Double row, Radial, self-aligning



Technical specification

DIMENSIONS, MM

d	60,000
D	110,000
D1	96,500
D2	71,600
B	28,000

WEIGHT, KG

1,150

MANUFACTURER

[SKF](#)

INTERCHANGE

ABC	22222 W33
FAG	22212 ES TVPB
TORRINGTON	22212(60 SD 22)
FAG	22222 ES TVPB
SKF	22222 E
TORRINGTON	22222(110 SD 22)

CALCULATION DATA

Basic dynamic load rating, C	156,000 kN
Basic static load rating, Co	166,000 kN
Fatigue load limit, Pu	18,600 kN
Reference speed	5600 r/min
Limiting speed	7500 r/min