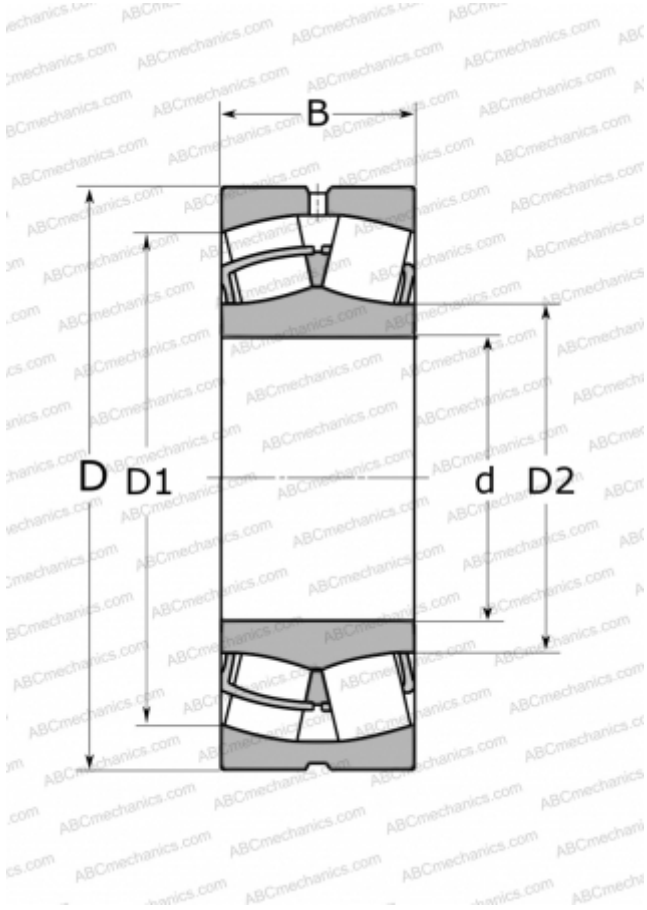


22213 E SKF

Spherical roller bearings

TYPE: Roller bearings, Spherical, Double row, Radial, self-aligning



Technical specification

DIMENSIONS, MM

d	65,000
D	120,000
D1	106,000
D2	77,600
B	31,000

WEIGHT, KG

1,550

MANUFACTURER

[SKF](#)

INTERCHANGE

ABC	22213 W33
FAG	22213 ES TVPB
TORRINGTON	22213(65 SD 22)

CALCULATION DATA

Basic dynamic load rating, C	193,000 kN
Basic static load rating, Co	216,000 kN
Fatigue load limit, Pu	24,000 kN
Reference speed	5000 r/min
Limiting speed	7000 r/min