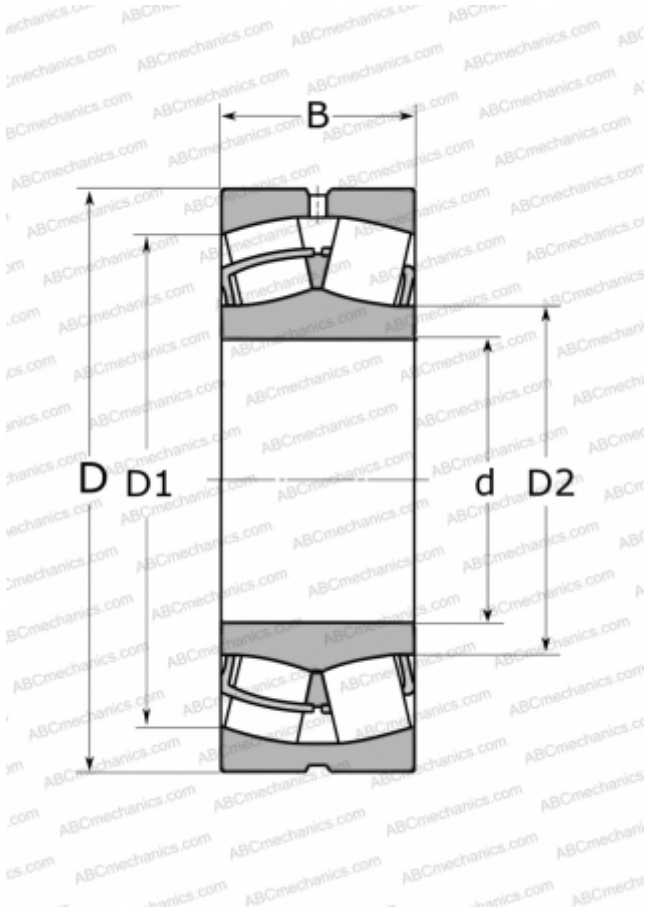


## 22214 E SKF

Spherical roller bearings

TYPE: Roller bearings, Spherical, Double row, Radial, self-aligning



### Technical specification

#### DIMENSIONS, MM

d	70,000
D	125,000
D1	111,000
D2	83,000
B	31,000

#### WEIGHT, KG

1,550

#### MANUFACTURER

[SKF](#)

#### INTERCHANGE

ABC	<a href="#">22214 W33</a>
FAG	<a href="#">22214 ES TVPB</a>
TORRINGTON	<a href="#">22214(70 SD 22)</a>

#### CALCULATION DATA

Basic dynamic load rating, C	208,000 kN
Basic static load rating, Co	228,000 kN
Fatigue load limit, Pu	25,500 kN
Reference speed	5000 r/min
Limiting speed	6700 r/min