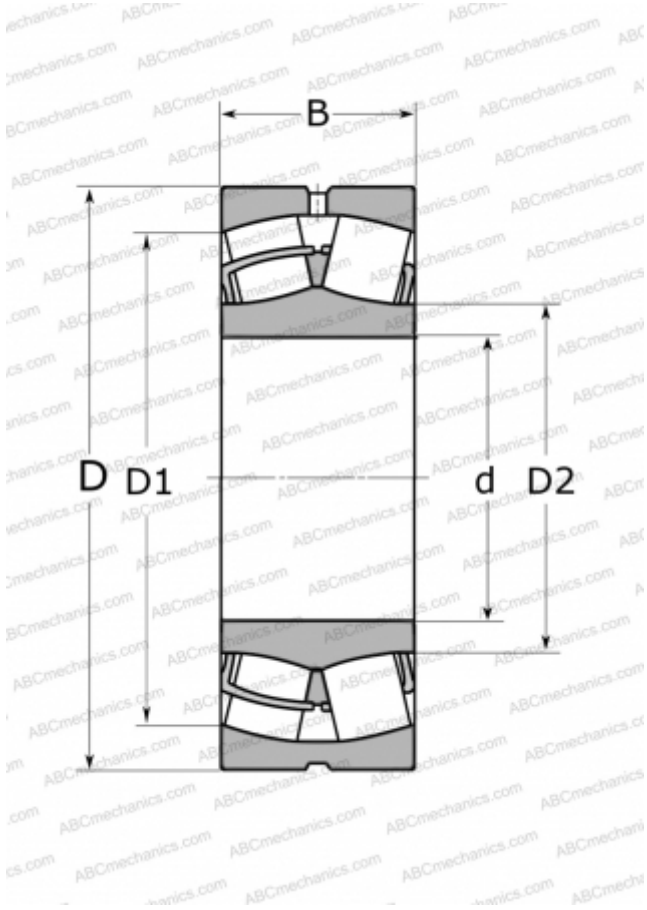


24020 CC/W33 SKF

Spherical roller bearings

TYPE: Roller bearings, Spherical, Double row, Radial, self-aligning



Technical specification

DIMENSIONS, MM

d	100,000
D	150,000
$D1$	132,000
$D2$	111,000
B	50,000

WEIGHT, KG

3,150

MANUFACTURER

[SKF](#)

INTERCHANGE

ABC	24020 W33
-----	---------------------------

CALCULATION DATA

Basic dynamic load rating, C	285,000 kN
Basic static load rating, C_0	415,000 kN
Fatigue load limit, P_u	45,500 kN
Reference speed	2800 r/min
Limiting speed	4000 r/min