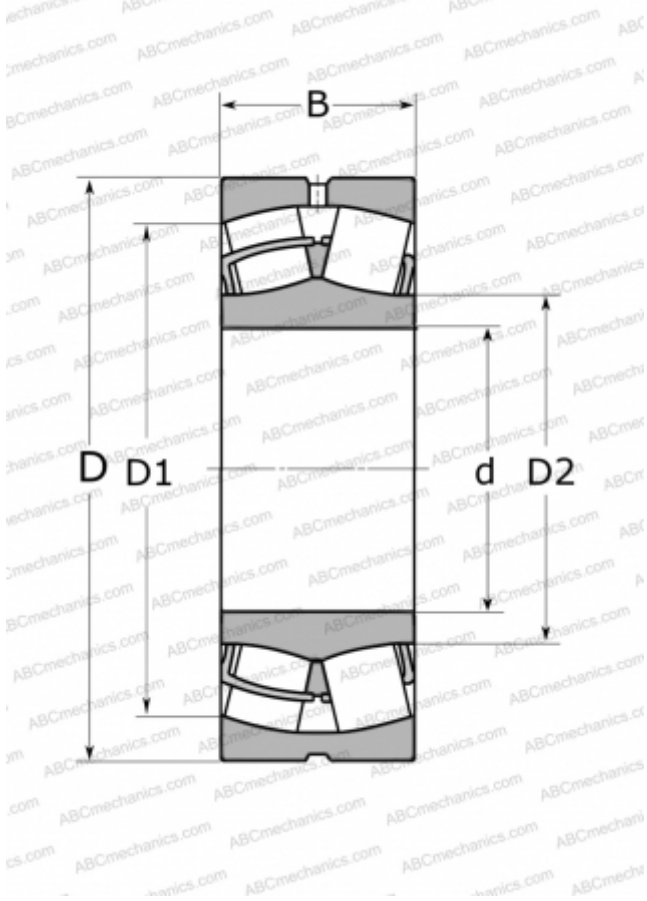


## 24120 CC/W33 SKF

Spherical roller bearings

TYPE: Roller bearings, Spherical, Double row, Radial, self-aligning



### Technical specification

#### DIMENSIONS, MM

$d$	100,000
$D$	165,000
$D1$	141,000
$D2$	113,000
$B$	65,000

#### WEIGHT, KG

5,650

#### MANUFACTURER

[SKF](#)

#### INTERCHANGE

ABC	<a href="#">24120 W33</a>
-----	---------------------------

#### CALCULATION DATA

Basic dynamic load rating, $C$	455,000 kN
Basic static load rating, $C_0$	640,000 kN
Fatigue load limit, $P_u$	68,000 kN
Reference speed	2400 r/min
Limiting speed	3200 r/min