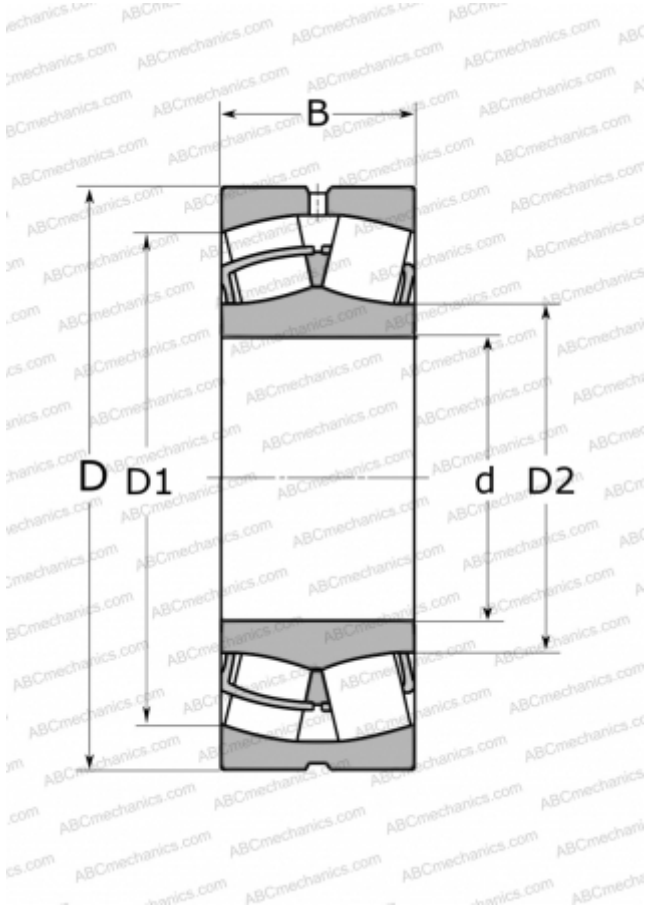


23022 CC/W33 SKF

Spherical roller bearings

TYPE: Roller bearings, Spherical, Double row, Radial, self-aligning



Technical specification

DIMENSIONS, MM

d	110,000
D	170,000
D1	151,000
D2	125,000
B	45,000

WEIGHT, KG

3,800

MANUFACTURER

[SKF](#)

INTERCHANGE

ABC	23022 W33
FAG	23022 S MB

CALCULATION DATA

Basic dynamic load rating, C	310,000 kN
Basic static load rating, Co	440,000 kN
Fatigue load limit, Pu	46,500 kN
Reference speed	3400 r/min
Limiting speed	4300 r/min