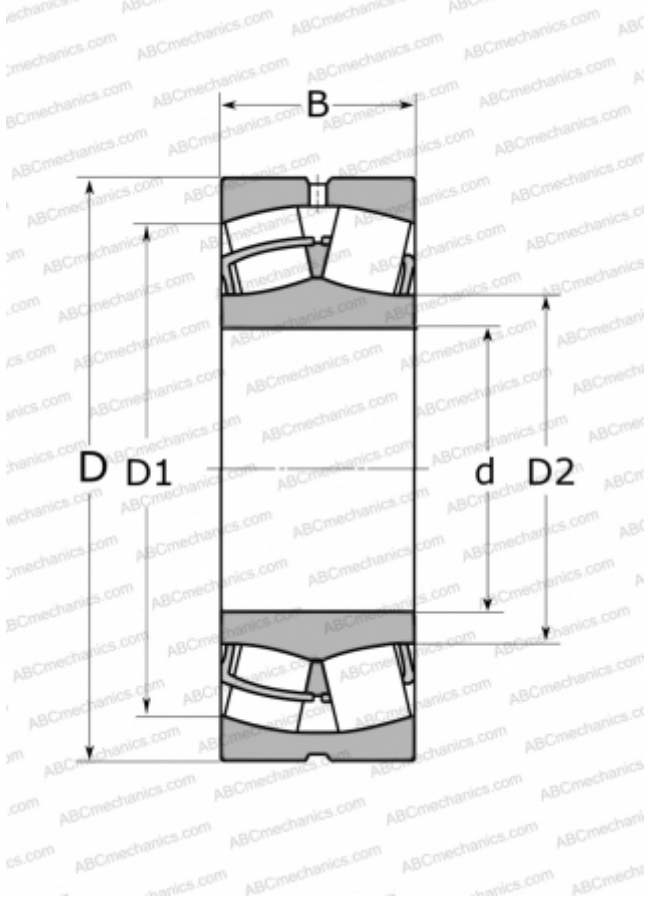


## 22222 E SKF

Spherical roller bearings

TYPE: Roller bearings, Spherical, Double row, Radial, self-aligning



### Technical specification

#### DIMENSIONS, MM

d	110,000
D	200,000
D1	178,000
D2	130,000
B	53,000

#### WEIGHT, KG

7,000

#### MANUFACTURER

[SKF](#)

#### INTERCHANGE

ABC	<a href="#">22222 W33</a>
FAG	<a href="#">22212 ES TVPB</a>
SKF	<a href="#">22212 E</a>
TORRINGTON	<a href="#">22212(60 SD 22)</a>
FAG	<a href="#">22222 ES TVPB</a>
TORRINGTON	<a href="#">22222(110 SD 22)</a>

#### CALCULATION DATA

Basic dynamic load rating, C	560,000 kN
Basic static load rating, Co	640,000 kN
Fatigue load limit, Pu	63,000 kN
Reference speed	3000 r/min
Limiting speed	4000 r/min