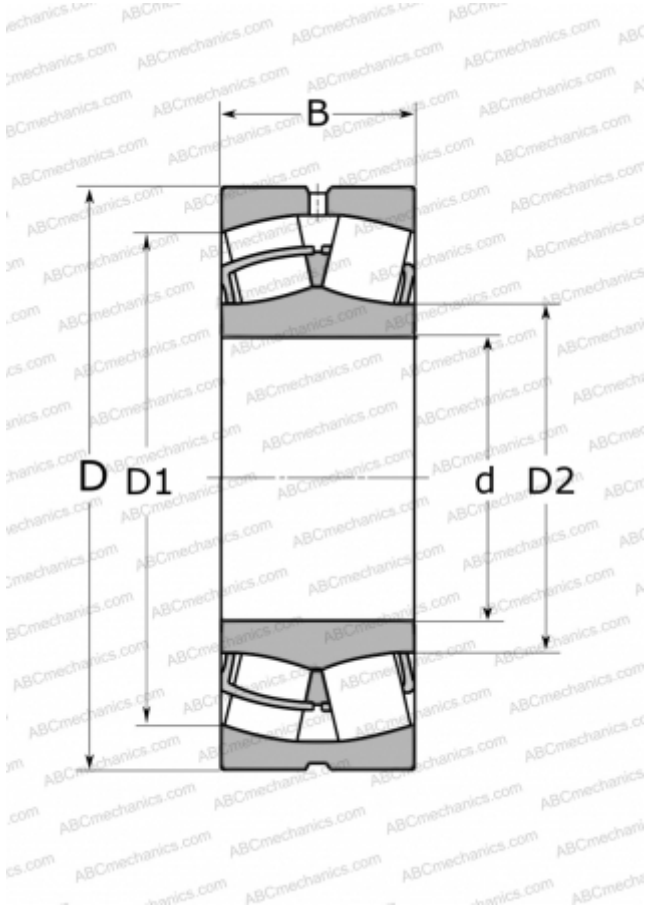


23130 CC/W33 SKF

Spherical roller bearings

TYPE: Roller bearings, Spherical, Double row, Radial, self-aligning



Technical specification

DIMENSIONS, MM

d	150,000
D	250,000
D1	216,000
D2	172,000
B	80,000

WEIGHT, KG

16,000

MANUFACTURER

[SKF](#)

INTERCHANGE

ABC	23130 W33
FAG	23130 S MB
TORRINGTON	23130(150 SD 31)

CALCULATION DATA

Basic dynamic load rating, C	830,000 kN
Basic static load rating, Co	1200,000 kN
Fatigue load limit, Pu	114,000 kN
Reference speed	2000 r/min
Limiting speed	2600 r/min