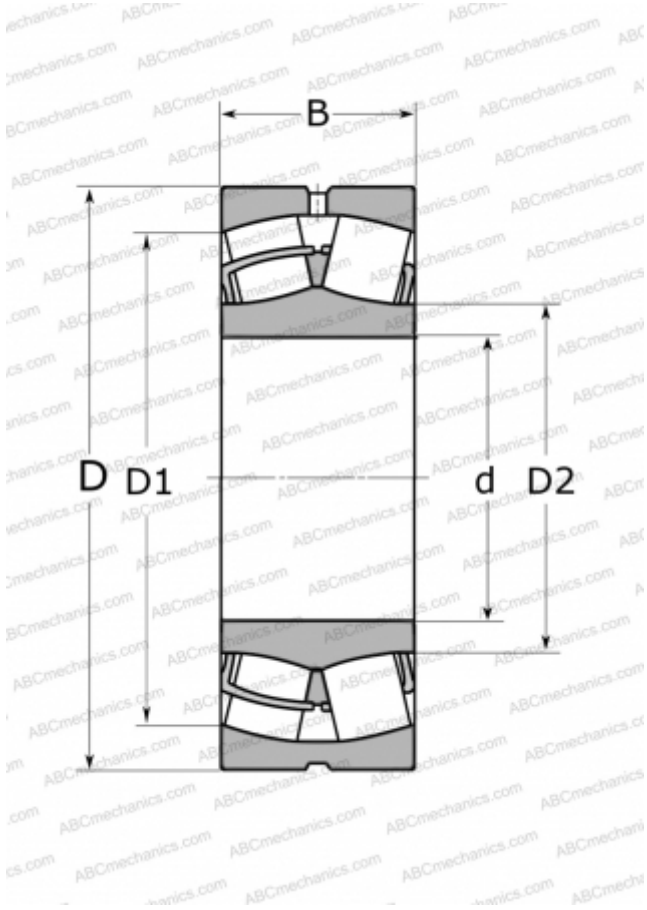


22232 CC/W33 SKF

Spherical roller bearings

TYPE: Roller bearings, Spherical, Double row, Radial, self-aligning



Technical specification

DIMENSIONS, MM

d	160,000
D	290,000
D1	250,000
D2	191,000
B	80,000

WEIGHT, KG

22,500

MANUFACTURER

[SKF](#)

INTERCHANGE

ABC	2222 W33
FAG	22232 ES TVPB
TORRINGTON	22232(160 SD 22)

CALCULATION DATA

Basic dynamic load rating, C	1000,000 kN
Basic static load rating, Co	1290,000 kN
Fatigue load limit, Pu	118,000 kN
Reference speed	2000 r/min
Limiting speed	2800 r/min