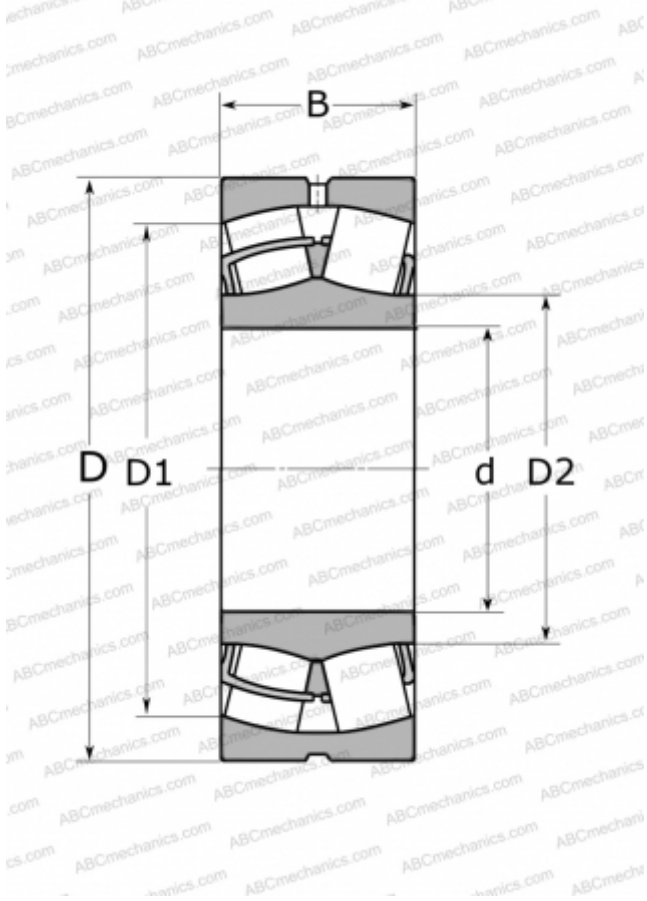


24034 CC/W33 SKF

Spherical roller bearings

TYPE: Roller bearings, Spherical, Double row, Radial, self-aligning



Technical specification

DIMENSIONS, MM

d	170,000
D	260,000
D1	226,000
D2	188,000
B	90,000

WEIGHT, KG

17,500

MANUFACTURER

[SKF](#)

INTERCHANGE

ABC	24034 W33
FAG	24034 BS.MB
TORRINGTON	24034 SD

CALCULATION DATA

Basic dynamic load rating, C	930,000 kN
Basic static load rating, Co	1460,000 kN
Fatigue load limit, Pu	137,000 kN
Reference speed	1600 r/min
Limiting speed	2400 r/min