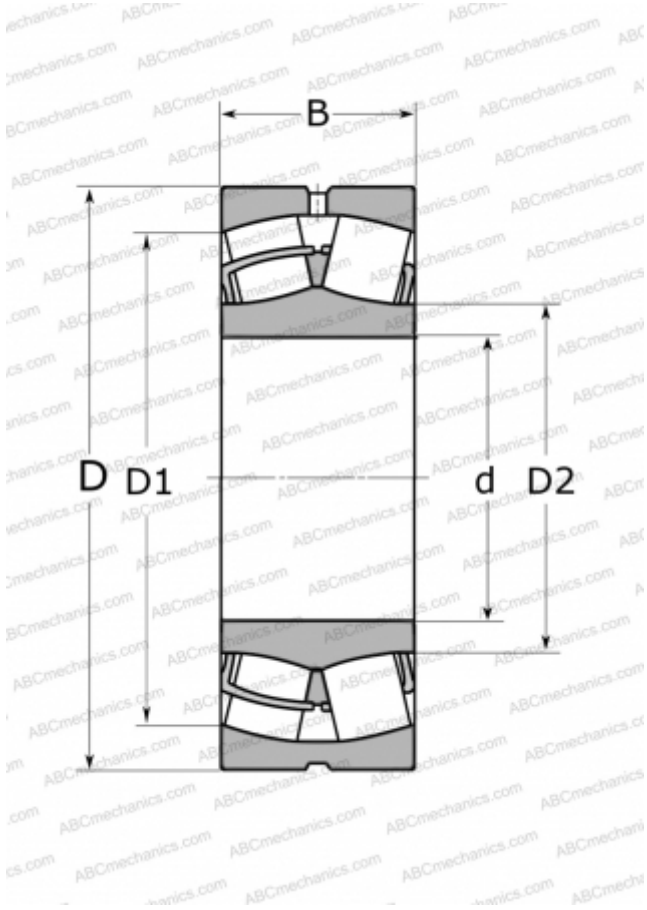


23234 CC/W33 SKF

Spherical roller bearings

TYPE: Roller bearings, Spherical, Double row, Radial, self-aligning



Technical specification

DIMENSIONS, MM

d	170,000
D	310,000
D1	261,000
D2	200,000
B	110,000

WEIGHT, KG

37,500

MANUFACTURER

[SKF](#)

INTERCHANGE

ABC	23234 W33
FAG	23234 BS MB
TORRINGTON	23234(170 SD 32)

CALCULATION DATA

Basic dynamic load rating, C	1400,000 kN
Basic static load rating, Co	1930,000 kN
Fatigue load limit, Pu	173,000 kN
Reference speed	1400 r/min
Limiting speed	2000 r/min