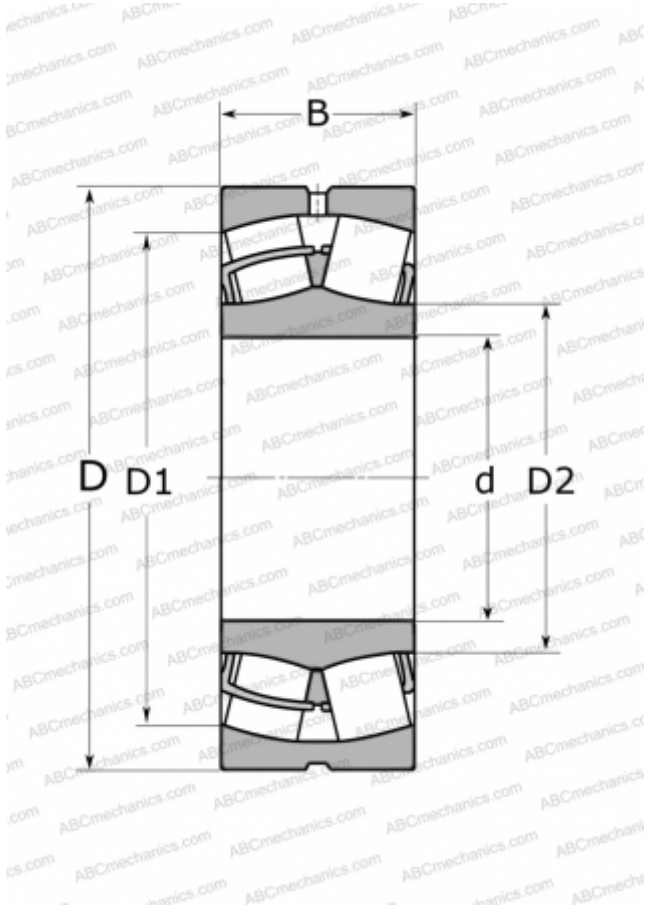


23138 CC/W33 SKF

Spherical roller bearings

TYPE: Roller bearings, Spherical, Double row, Radial, self-aligning



Technical specification

DIMENSIONS, MM

d	190,000
D	320,000
D1	275,000
D2	220,000
B	104,000

WEIGHT, KG

35,000

MANUFACTURER

[SKF](#)

INTERCHANGE

ABC	23138 W33
FAG	23138 MB
TORRINGTON	23138(190 SD 31)

CALCULATION DATA

Basic dynamic load rating, C	1370,000 kN
Basic static load rating, Co	2080,000 kN
Fatigue load limit, Pu	183,000 kN
Reference speed	1500 r/min
Limiting speed	2000 r/min