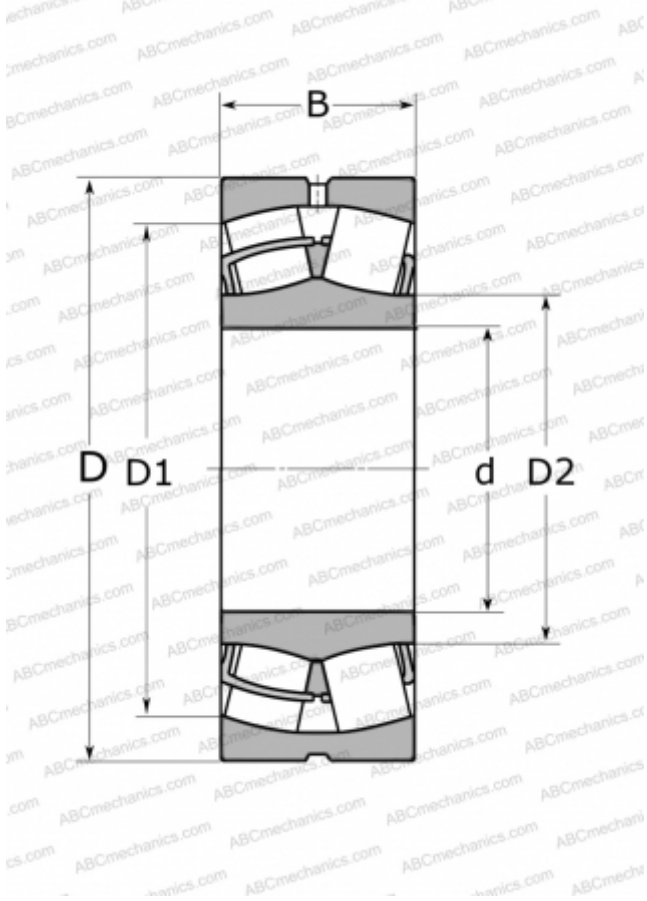


23238 CC/W33 SKF

Spherical roller bearings

TYPE: Roller bearings, Spherical, Double row, Radial, self-aligning



Technical specification

DIMENSIONS, MM

d	190,000
D	340,000
D1	287,000
D2	222,000
B	120,000

WEIGHT, KG

48,000

MANUFACTURER

[SKF](#)

INTERCHANGE

ABC	23238 W33
FAG	23238 B MB
TORRINGTON	23238(190 SD 32)

CALCULATION DATA

Basic dynamic load rating, C	1660,000 kN
Basic static load rating, Co	2400,000 kN
Fatigue load limit, Pu	208,000 kN
Reference speed	1300 r/min
Limiting speed	1800 r/min