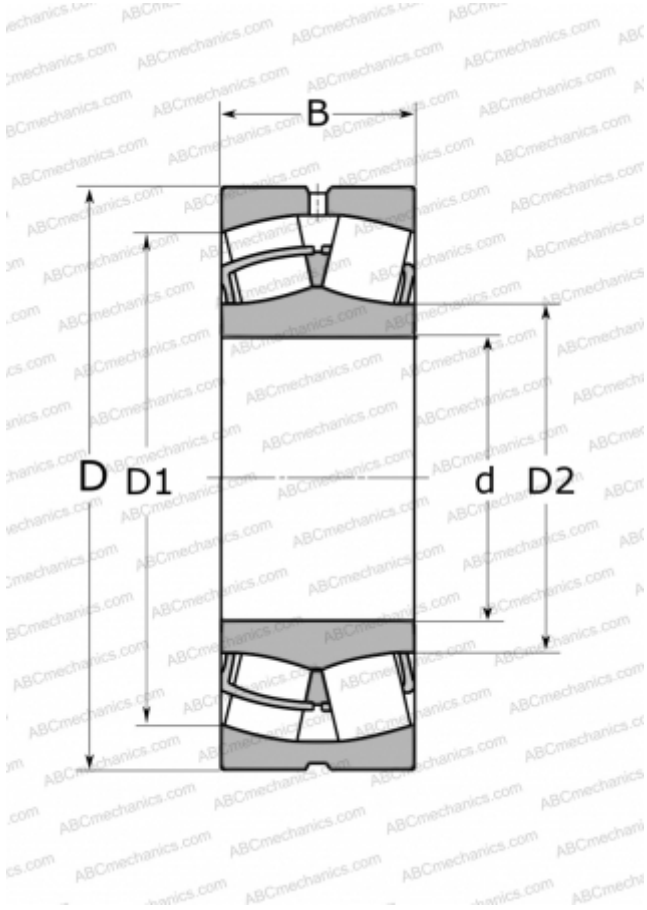


24040 CC/W33 SKF

Spherical roller bearings

TYPE: Roller bearings, Spherical, Double row, Radial, self-aligning



Technical specification

DIMENSIONS, MM

d	200,000
D	310,000
D1	268,000
D2	223,000
B	109,000

WEIGHT, KG

31,000

MANUFACTURER

[SKF](#)

INTERCHANGE

ABC	24040 W33
FAG	24040 BS.MB
TORRINGTON	24040 SD(200 SD 40)

CALCULATION DATA

Basic dynamic load rating, C	1290,000 kN
Basic static load rating, Co	2120,000 kN
Fatigue load limit, Pu	186,000 kN
Reference speed	1300 r/min
Limiting speed	1900 r/min