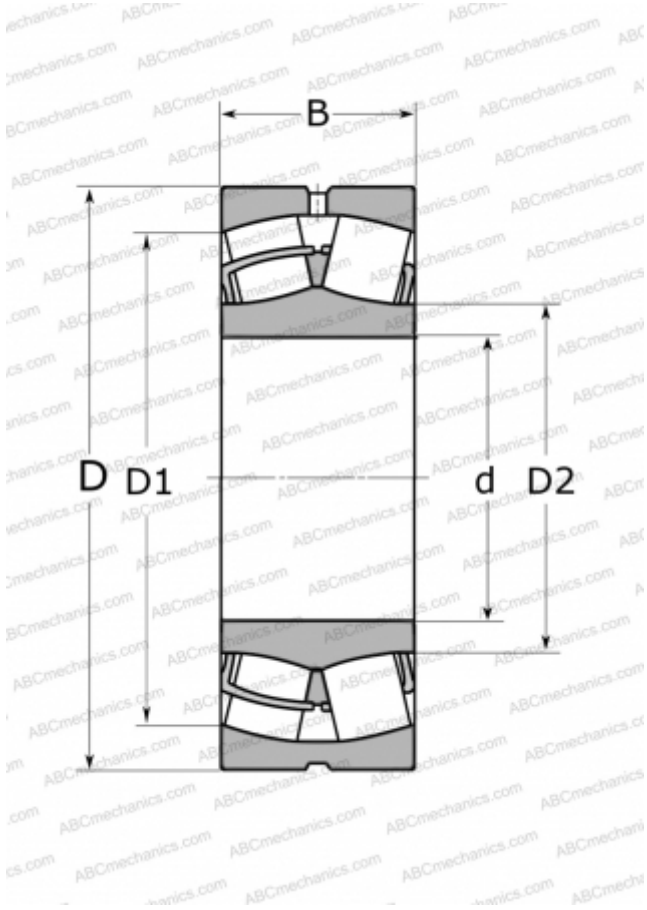


24140 CC/W33 SKF

Spherical roller bearings

TYPE: Roller bearings, Spherical, Double row, Radial, self-aligning



Technical specification

DIMENSIONS, MM

| | |
|----|---------|
| d | 200,000 |
| D | 340,000 |
| D1 | 284,000 |
| D2 | 226,000 |
| B | 140,000 |

WEIGHT, KG

53,500

MANUFACTURER

[SKF](#)

INTERCHANGE

| | |
|------------|----------------------------------|
| ABC | 24140 W33 |
| TORRINGTON | 24140(200 SD 41) |

CALCULATION DATA

| | |
|------------------------------|-------------|
| Basic dynamic load rating, C | 1800,000 kN |
| Basic static load rating, Co | 2800,000 kN |
| Fatigue load limit, Pu | 232,000 kN |
| Reference speed | 1100 r/min |
| Limiting speed | 1500 r/min |