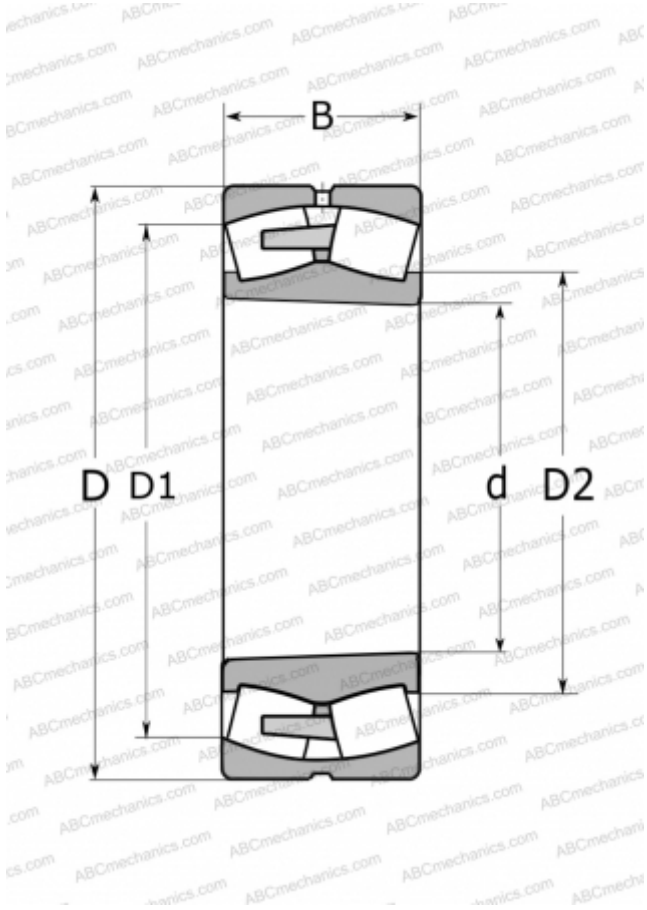


22212 EK SKF

Spherical roller bearings

TYPE: Roller bearings, Spherical, Double row, Radial, self-aligning, tapered bore



Technical specification

DIMENSIONS, MM

| | |
|----|---------|
| d | 60,000 |
| D | 110,000 |
| D1 | 96,500 |
| D2 | 71,600 |
| B | 28,000 |

WEIGHT, KG

1,150

MANUFACTURER

[SKF](#)

CALCULATION DATA

| | |
|------------------------------|------------|
| Basic dynamic load rating, C | 156,000 kN |
| Basic static load rating, Co | 166,000 kN |
| Fatigue load limit, Pu | 18,600 kN |
| Reference speed | 5600 r/min |
| Limiting speed | 7500 r/min |