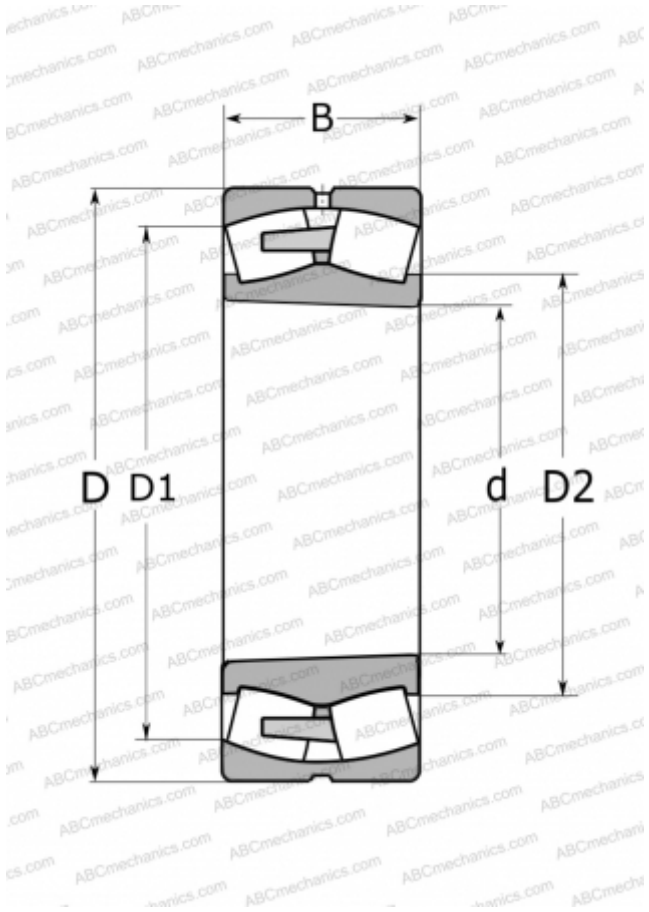


22318 EK SKF

Spherical roller bearings

TYPE: Roller bearings, Spherical, Double row, Radial, self-aligning, tapered bore



Technical specification

DIMENSIONS, MM

d	90,000
D	190,000
D1	161,000
D2	113,000
B	64,000

WEIGHT, KG

9,050

MANUFACTURER

[SKF](#)

CALCULATION DATA

Basic dynamic load rating, C	610,000 kN
Basic static load rating, Co	695,000 kN
Fatigue load limit, Pu	67,000 kN
Reference speed	2600 r/min
Limiting speed	3600 r/min