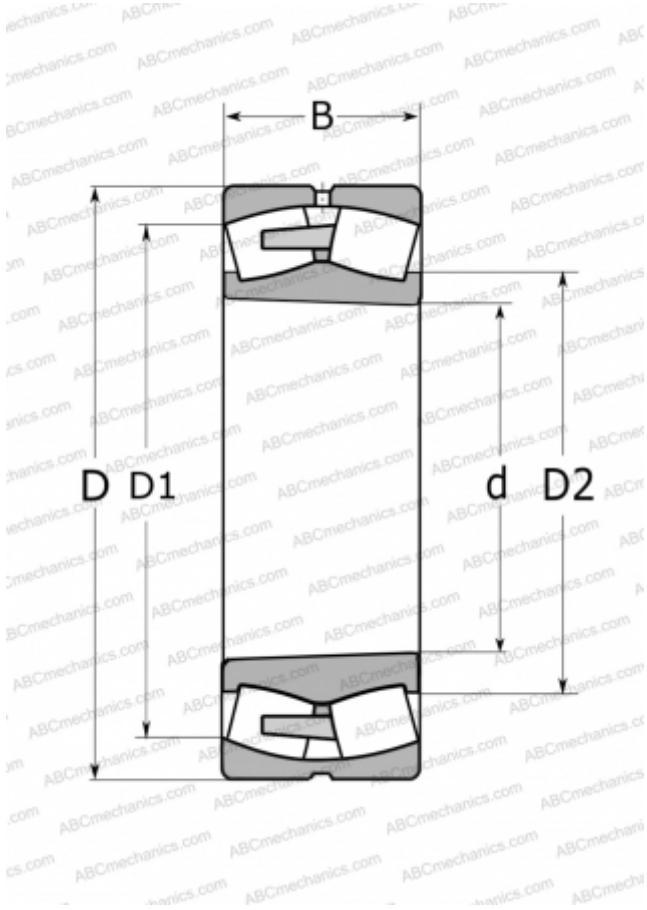


## 22319 EK SKF

Spherical roller bearings

TYPE: Roller bearings, Spherical, Double row, Radial, self-aligning, tapered bore



### Technical specification

#### DIMENSIONS, MM

d	95,000
D	200,000
D1	168,000
D2	118,000
B	67,000

#### WEIGHT, KG

10,500

#### MANUFACTURER

[SKF](#)

#### CALCULATION DATA

Basic dynamic load rating, C	670,000 kN
Basic static load rating, Co	765,000 kN
Fatigue load limit, Pu	73,500 kN
Reference speed	2600 r/min
Limiting speed	3400 r/min