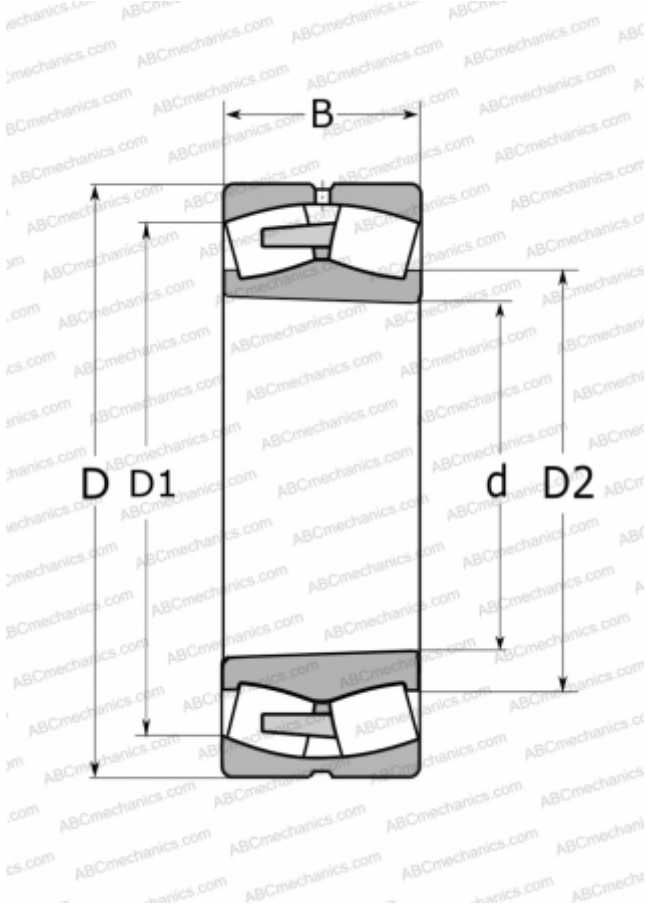


24030 CCK30/W33 SKF

Spherical roller bearings

TYPE: Roller bearings, Spherical, Double row, Radial, self-aligning, tapered bore



Technical specification

DIMENSIONS, MM

d	150,000
D	225,000
$D1$	197,000
$D2$	165,000
B	75,000

WEIGHT, KG

10,500

MANUFACTURER

[SKF](#)

CALCULATION DATA

Basic dynamic load rating, C	655,000 kN
Basic static load rating, C_0	1040,000 kN
Fatigue load limit, P_u	100,000 kN
Reference speed	1800 r/min
Limiting speed	2600 r/min