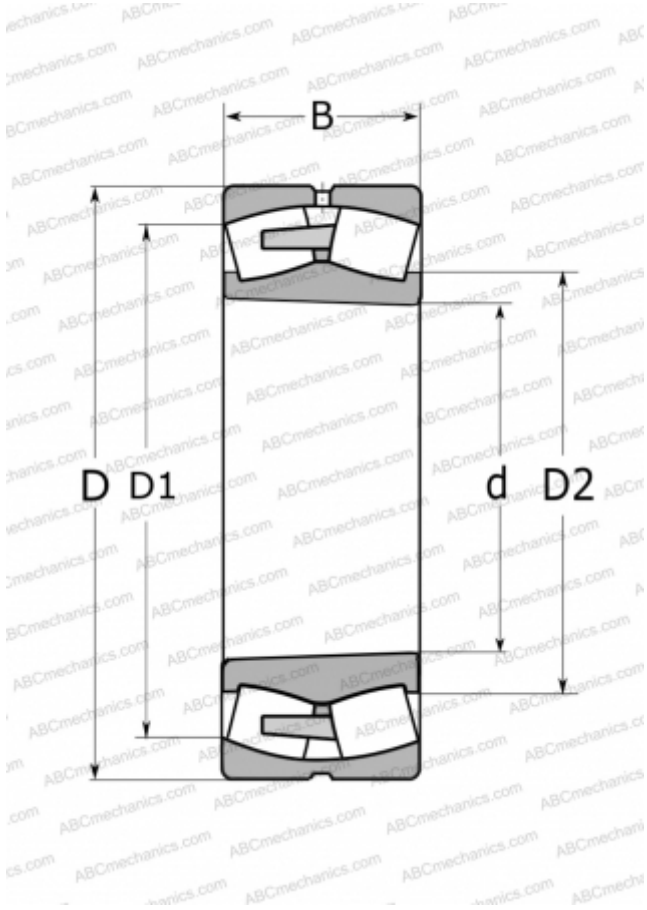


22330 CCK/W33 SKF

Spherical roller bearings

TYPE: Roller bearings, Spherical, Double row, Radial, self-aligning, tapered bore



Technical specification

DIMENSIONS, MM

| | |
|----|---------|
| d | 150,000 |
| D | 320,000 |
| D1 | 266,000 |
| D2 | 188,000 |
| B | 108,000 |

WEIGHT, KG

43,500

MANUFACTURER

[SKF](#)

CALCULATION DATA

| | |
|------------------------------|-------------|
| Basic dynamic load rating, C | 1460,000 kN |
| Basic static load rating, Co | 1760,000 kN |
| Fatigue load limit, Pu | 146,000 kN |
| Reference speed | 1600 r/min |
| Limiting speed | 2000 r/min |