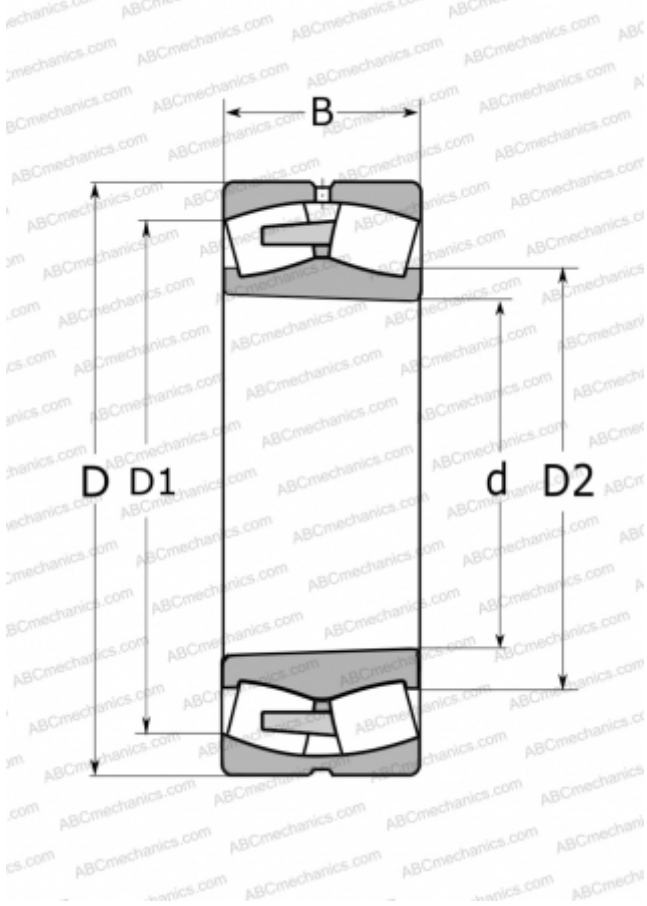


23164 CCK/W33 SKF

Spherical roller bearings

TYPE: Roller bearings, Spherical, Double row, Radial, self-aligning, tapered bore



Technical specification

DIMENSIONS, MM

d	320,000
D	540,000
D1	465,000
D2	370,000
B	176,000

WEIGHT, KG

165,000

MANUFACTURER

[SKF](#)

CALCULATION DATA

Basic dynamic load rating, C	3750,000 kN
Basic static load rating, Co	6000,000 kN
Fatigue load limit, Pu	440,000 kN
Reference speed	850 r/min
Limiting speed	1100 r/min