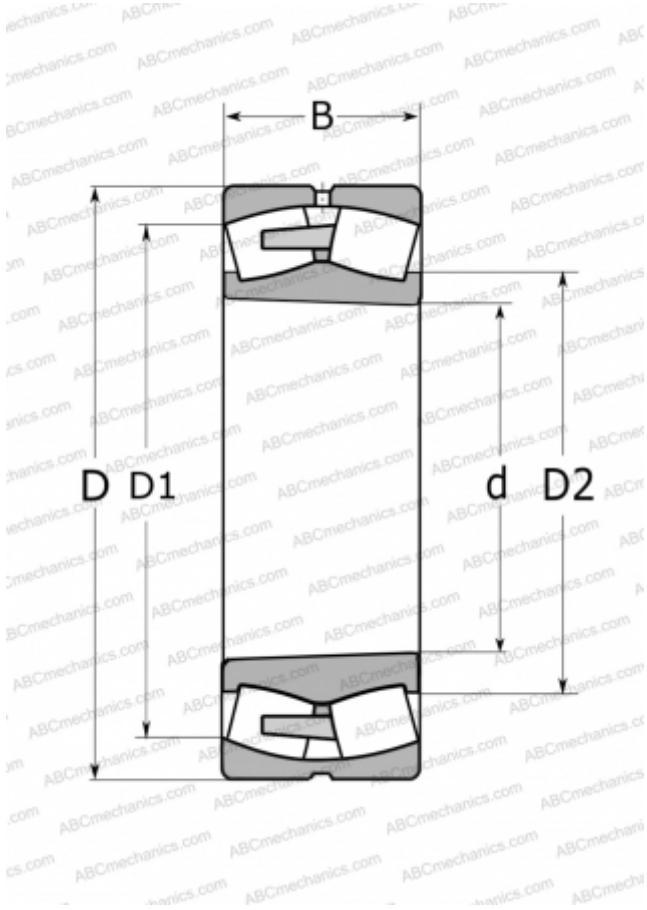


## 23172 CCK/W33 SKF

Spherical roller bearings

TYPE: Roller bearings, Spherical, Double row, Radial, self-aligning, tapered bore



### Technical specification

#### DIMENSIONS, MM

d	360,000
D	600,000
D1	524,000
D2	418,000
B	192,000

#### WEIGHT, KG

220,000

#### MANUFACTURER

[SKF](#)

#### CALCULATION DATA

Basic dynamic load rating, C	4300,000 kN
Basic static load rating, Co	6950,000 kN
Fatigue load limit, Pu	490,000 kN
Reference speed	750 r/min
Limiting speed	1000 r/min