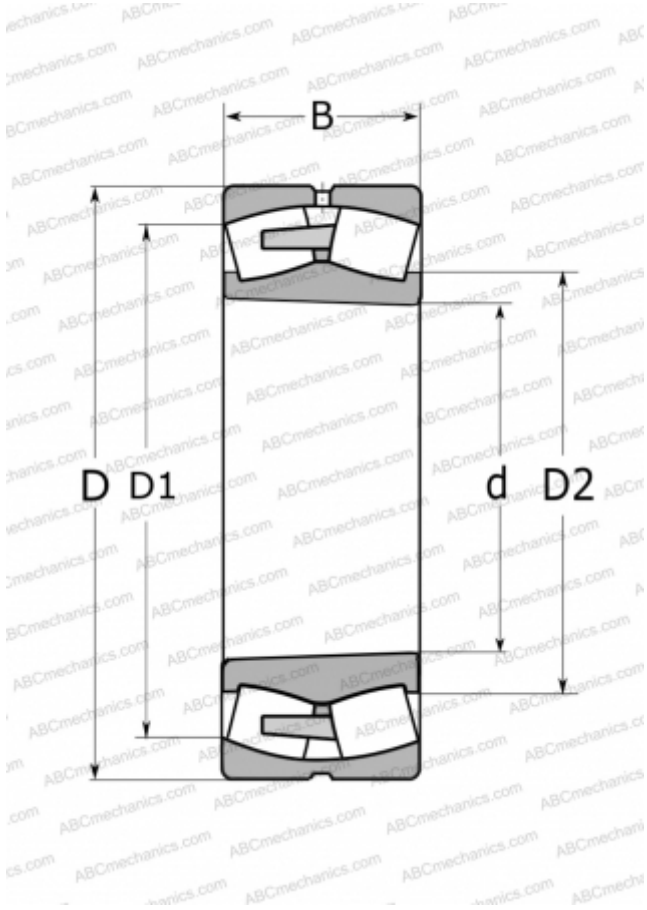


23280 CAK/W33 SKF

Spherical roller bearings

TYPE: Roller bearings, Spherical, Double row, Radial, self-aligning, tapered bore



Technical specification

DIMENSIONS, MM

d	400,000
D	720,000
$D1$	615,000
$D2$	499,000
B	256,000

WEIGHT, KG

450,000

MANUFACTURER

[SKF](#)

CALCULATION DATA

Basic dynamic load rating, C	6550,000 kN
Basic static load rating, C_0	10400,000 kN
Fatigue load limit, P_u	680,000 kN
Reference speed	480 r/min
Limiting speed	670 r/min