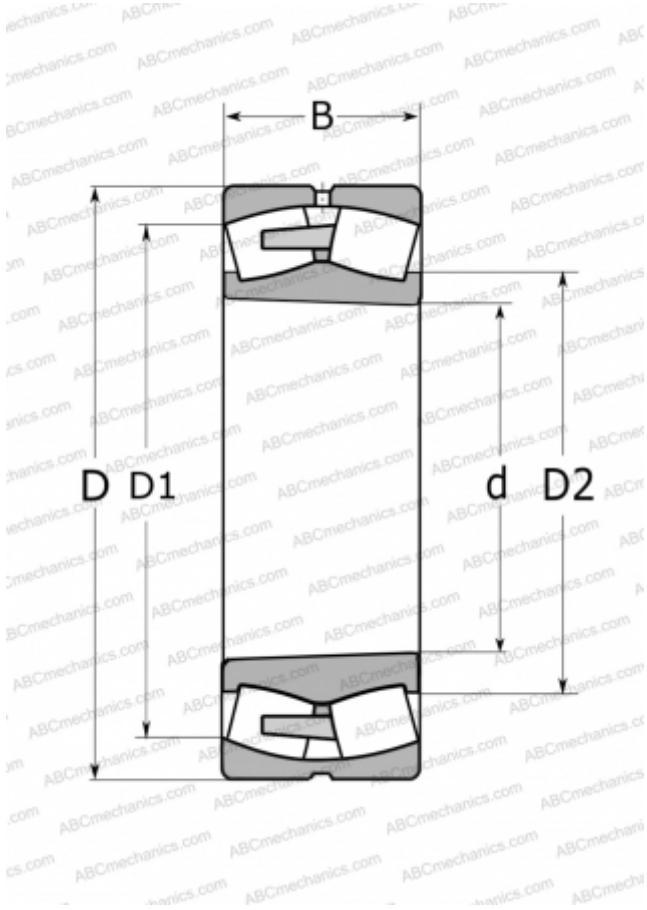


23292 CAK/W33 SKF

Spherical roller bearings

TYPE: Roller bearings, Spherical, Double row, Radial, self-aligning, tapered bore



Technical specification

DIMENSIONS, MM

d	460,000
D	830,000
D1	706,000
D2	572,000
B	296,000

WEIGHT, KG

695,000

MANUFACTURER

[SKF](#)

CALCULATION DATA

Basic dynamic load rating, C	8500,000 kN
Basic static load rating, Co	13700,000 kN
Fatigue load limit, Pu	880,000 kN
Reference speed	400 r/min
Limiting speed	560 r/min