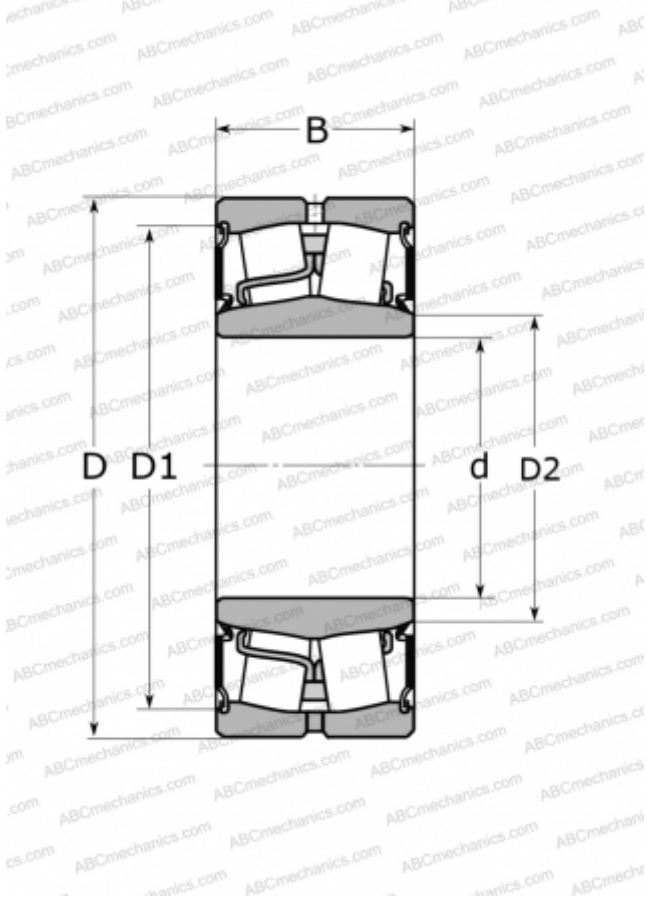


BS2-2213-2CS SKF

Spherical roller bearings

TYPE: Roller bearings, Spherical, Double row, Radial, self-aligning, contact seals on both side



Technical specification

DIMENSIONS, MM

d	65,000
D	120,000
D1	111,000
D2	76,000
B	38,000

WEIGHT, KG

1,600

MANUFACTURER

[SKF](#)

INTERCHANGE

ABC	22213E-2RS
FAG	803024

CALCULATION DATA

Basic dynamic load rating, C	193,000 kN
Basic static load rating, Co	216,000 kN
Fatigue load limit, Pu	24,000 kN
Limiting speed	1500 r/min