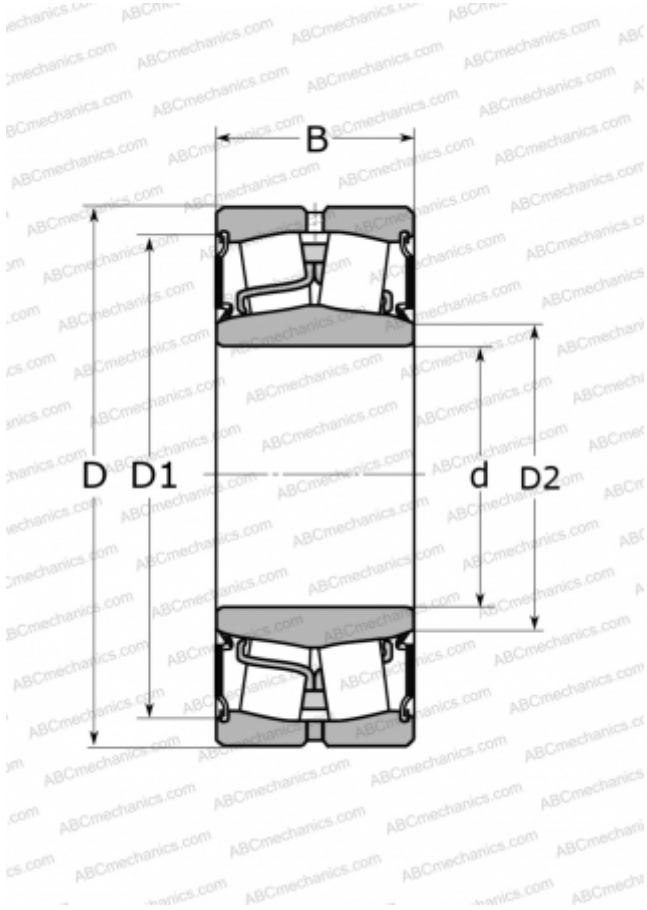


## BS2-2214-2CS SKF

Spherical roller bearings

TYPE: Roller bearings, Spherical, Double row, Radial, self-aligning, contact seals on both side



### Technical specification

#### DIMENSIONS, MM

d	70,000
D	125,000
D1	115,000
D2	80,000
B	38,000

#### WEIGHT, KG

1,800

#### MANUFACTURER

[SKF](#)

#### INTERCHANGE

ABC	<a href="#">22214E-2RS</a>
FAG	<a href="#">803014</a>

#### CALCULATION DATA

Basic dynamic load rating, C	208,000 kN
Basic static load rating, Co	228,000 kN
Fatigue load limit, Pu	25,500 kN
Limiting speed	1400 r/min