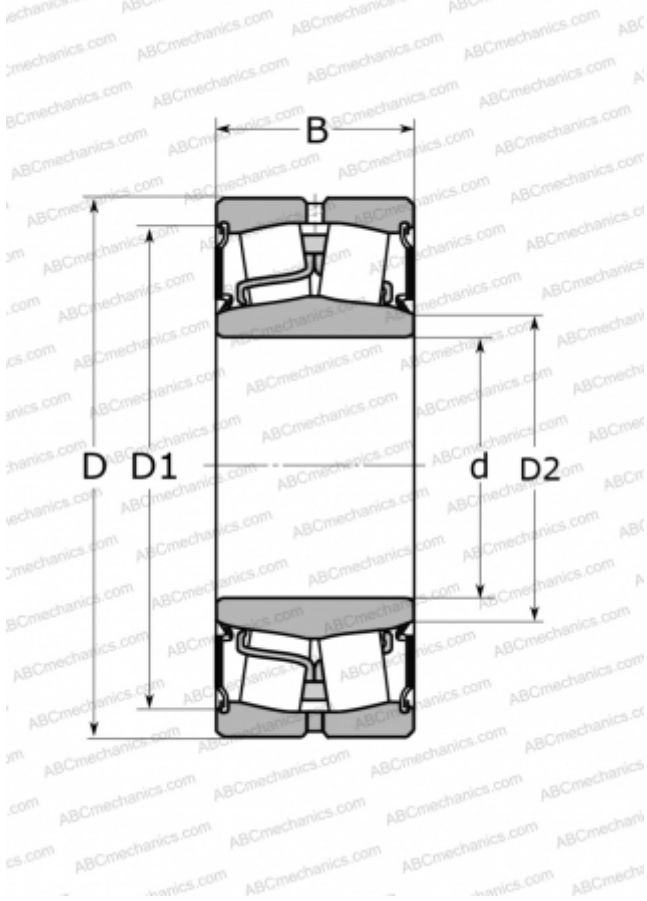


23220-2CS SKF

Spherical roller bearings

TYPE: Roller bearings, Spherical, Double row, Radial, self-aligning, contact seals on both side



Technical specification

DIMENSIONS, MM

d	100,000
D	180,000
D1	161,000
D2	114,000
B	60,300

WEIGHT, KG

6,850

MANUFACTURER

[SKF](#)

INTERCHANGE

ABC	23220E-2RS
FAG	803032

CALCULATION DATA

Basic dynamic load rating, C	475,000 kN
Basic static load rating, Co	600,000 kN
Fatigue load limit, Pu	63,000 kN
Limiting speed	700 r/min