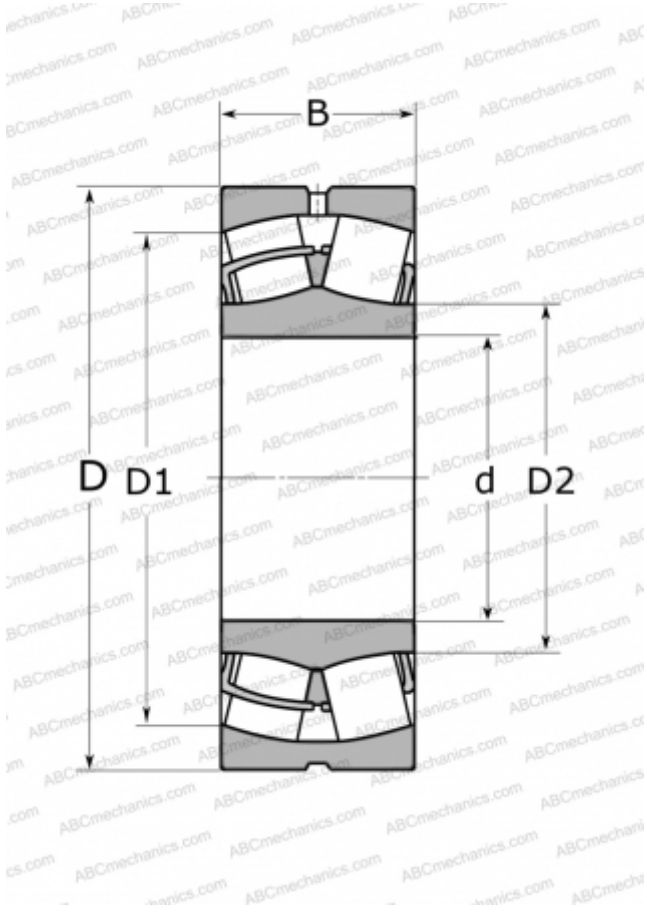


22319 UAVS2 NTN

Spherical roller bearings

TYPE: Roller bearings, Spherical, Double row, Radial, for vibratory loads



Technical specification

DIMENSIONS, MM

d	95,000
D	200,000
B	67,000

WEIGHT, KG

10,301

MANUFACTURER

[NTN](#)

INTERCHANGE

ABC	22319 W33 F80
FAG	22319 ET41A / 22319 EAS MA T41A
SKF	22319 EJA/VA405
NSK	22319 CAME4C4U15-VS
TIMKEN	22319 YMW33W800C4