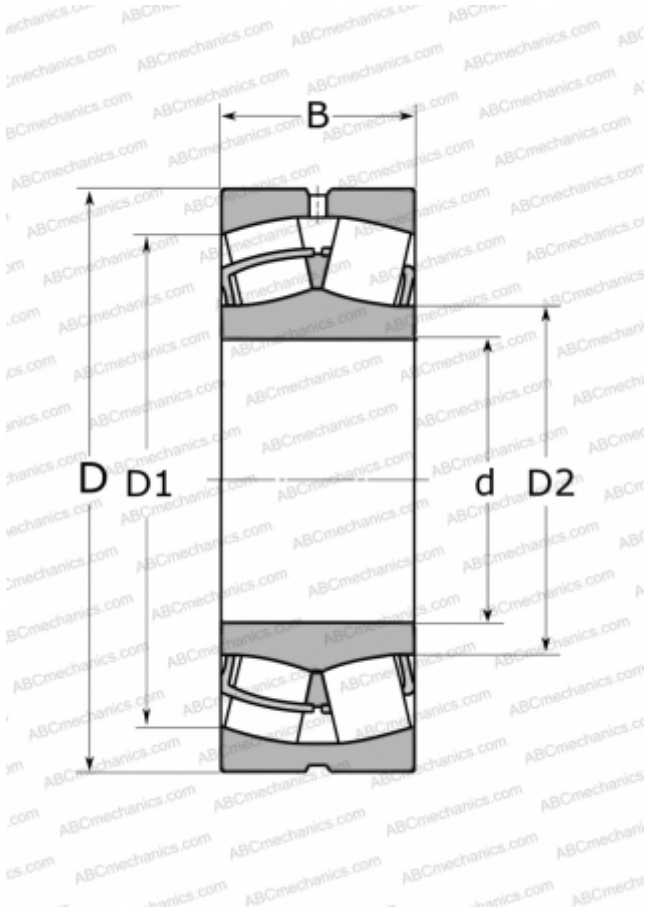


22320 EJA/VA405 SKF

Spherical roller bearings

TYPE: Roller bearings, Spherical, Double row, Radial, for vibratory loads



Technical specification

DIMENSIONS, MM

d	100,000
D	215,000
D1	184,000
D2	130,000
B	73,000

WEIGHT, KG

13,500

MANUFACTURER

[SKF](#)

INTERCHANGE

ABC	22320 W33 F80
FAG	22320 E T41A / 22320 EAS MA
NSK	22320 CAME4C4U15-VS
TIMKEN	22320 YMW33W800C4
NTN	22320 UAVS2

CALCULATION DATA

Basic dynamic load rating, C	815,000 kN
Basic static load rating, Co	950,000 kN
Fatigue load limit, Pu	88,000 kN
Reference speed	2400 r/min
Limiting speed	3000 r/min

REPLACES

452320 CACM2/W502