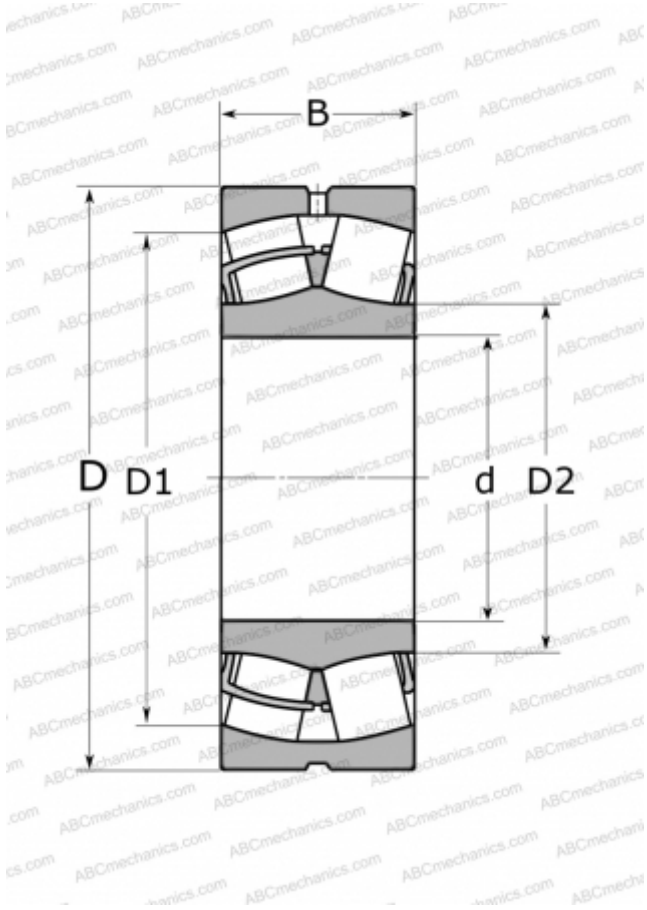


22326 CCJA/W33VA405 SKF

Spherical roller bearings

TYPE: Roller bearings, Spherical, Double row, Radial, for vibratory loads



Technical specification

DIMENSIONS, MM

d	130,000
D	280,000
D1	233,000
D2	164,000
B	93,000

WEIGHT, KG

29,000

MANUFACTURER

[SKF](#)

INTERCHANGE

ABC	22326 W33 F80
FAG	22326 E T41A / 22326 EAS MA
NSK	22326 CAME4C4U15-VS
TIMKEN	22326 YMW33W800C4
NTN	22326 UVAS2

CALCULATION DATA

Basic dynamic load rating, C	1120,000 kN
Basic static load rating, Co	1320,000 kN
Fatigue load limit, Pu	114,000 kN
Reference speed	1800 r/min
Limiting speed	2400 r/min

REPLACES

452326 CACM2/W502