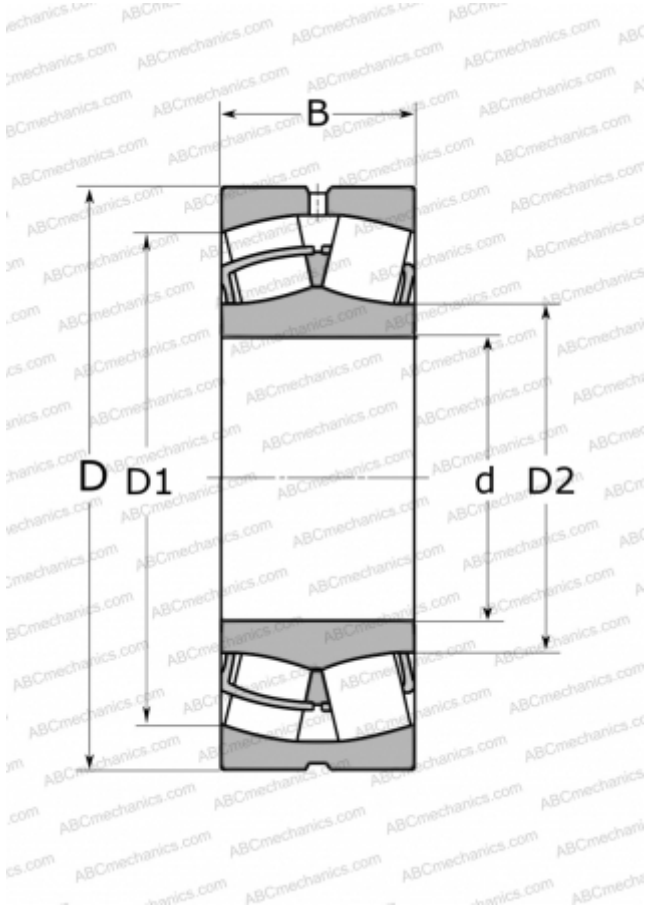


22320 EJA/VA406 SKF

Spherical roller bearings

TYPE: Roller bearings, Spherical, Double row, Radial, for vibratory loads



Technical specification

DIMENSIONS, MM

d	100,000
D	215,000
$D1$	184,000
$D2$	130,000
B	73,000

WEIGHT, KG

13,500

MANUFACTURER

[SKF](#)

CALCULATION DATA

Basic dynamic load rating, C	815,000 kN
Basic static load rating, C_0	950,000 kN
Fatigue load limit, P_u	88,000 kN
Reference speed	2400 r/min
Limiting speed	3000 r/min