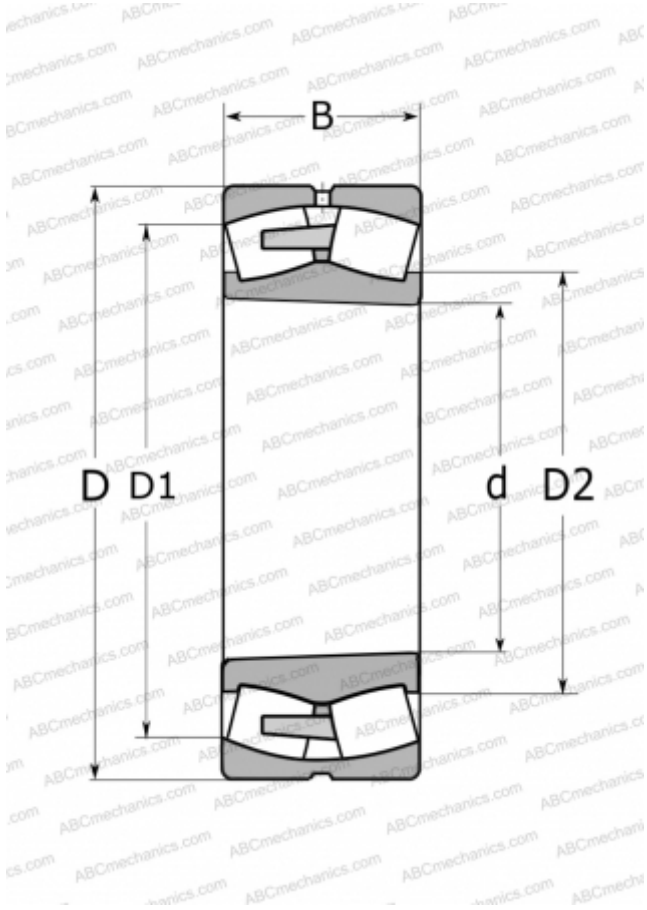


22313 EK/VA405 SKF

Spherical roller bearings

TYPE: Roller bearings, Spherical, Double row, Radial, for vibratory loads, tapered bore



Technical specification

DIMENSIONS, MM

d	65,000
D	140,000
$D1$	118,000
$D2$	81,600
B	48,000

WEIGHT, KG

3,750

MANUFACTURER

[SKF](#)

CALCULATION DATA

Basic dynamic load rating, C	340,000 kN
Basic static load rating, C_0	360,000 kN
Fatigue load limit, P_u	38,000 kN
Reference speed	3800 r/min
Limiting speed	5000 r/min