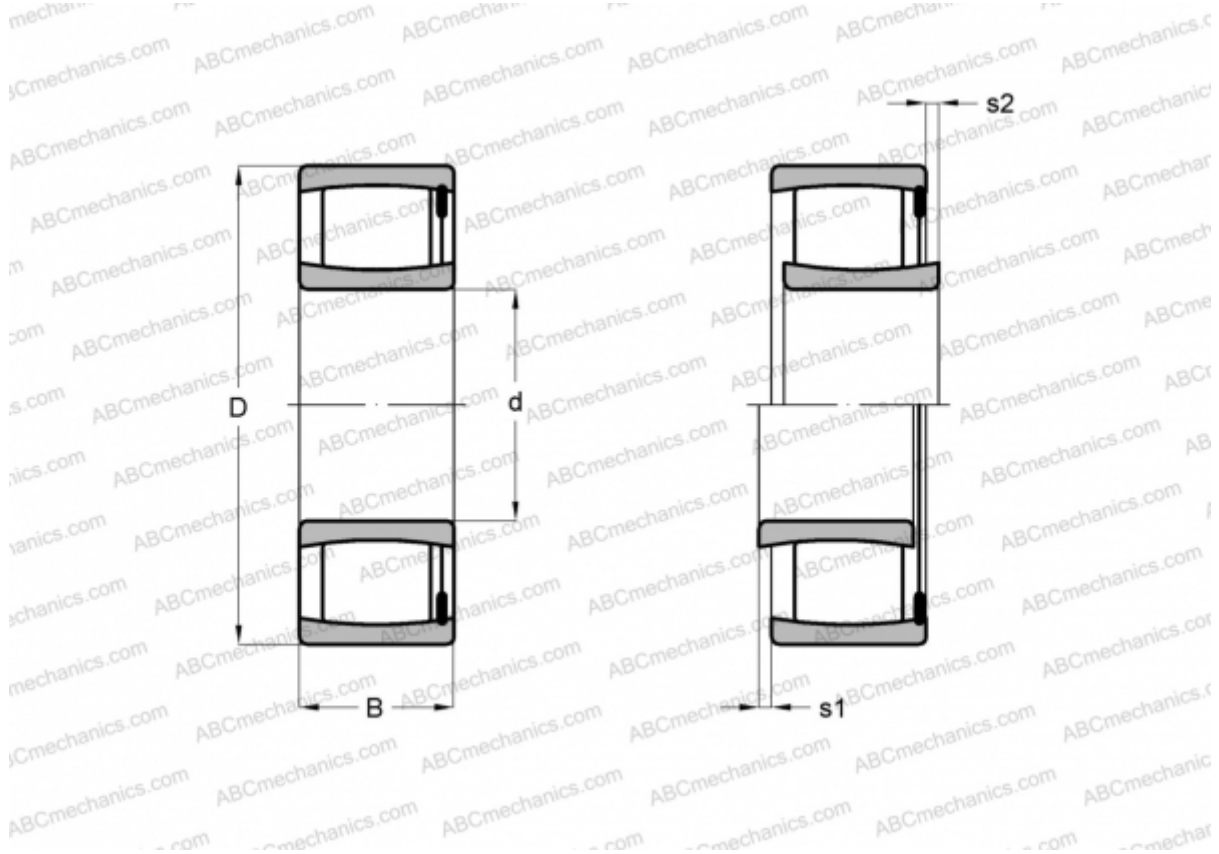


C 5908 V SKF

CARB toroidal roller bearings

TYPE: Roller bearings, Toroidal CARB, Full complement, cylindrical bore



Technical specification

DIMENSIONS, MM

| | |
|---|--------|
| d | 40,000 |
| D | 62,000 |
| B | 30,000 |

WEIGHT, KG 0,350

MANUFACTURER [SKF](#)

CALCULATION DATA

| | |
|------------------------------|------------|
| Basic dynamic load rating, C | 104,000 kN |
| Basic static load rating, Co | 143,000 kN |
| Fatigue load limit, Pu | 16,000 kN |
| Limiting speed | 3400 r/min |