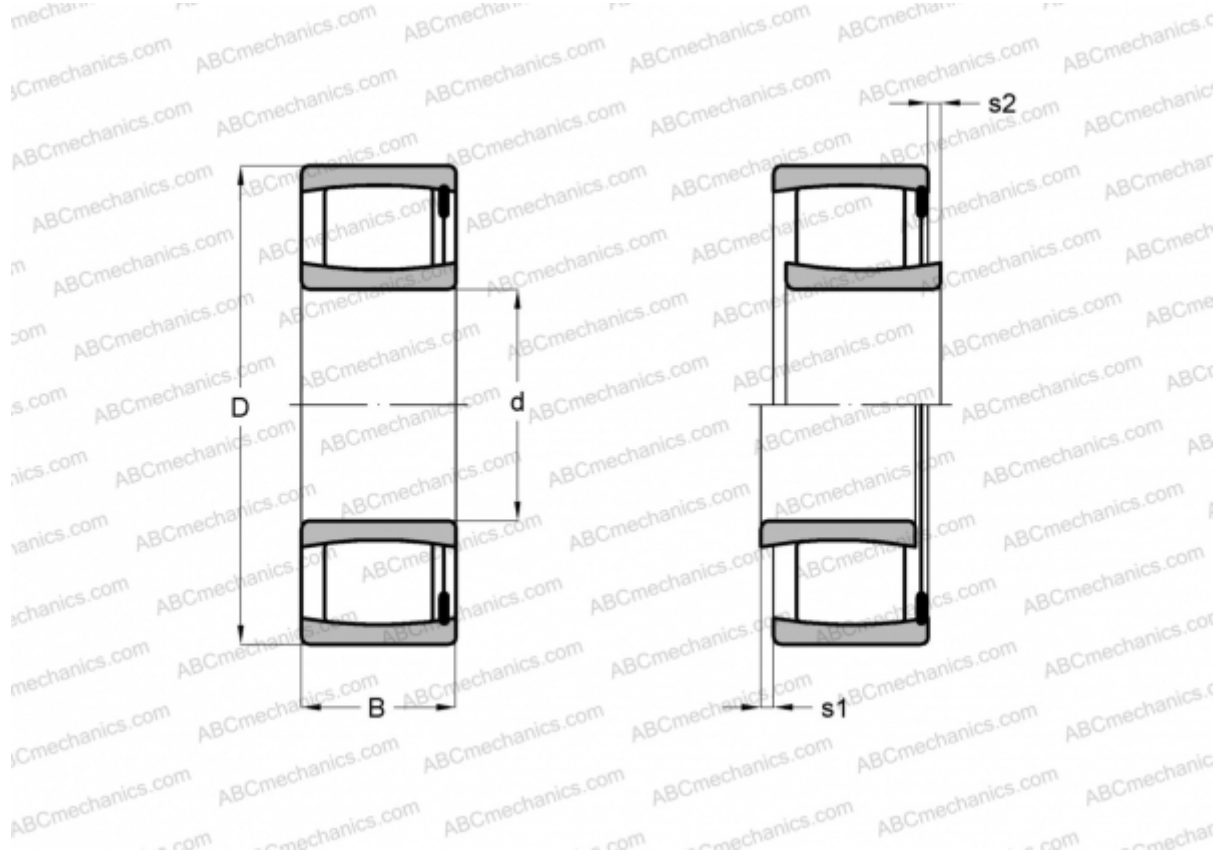


C 6915 V/VE240 SKF

CARB toroidal roller bearings

TYPE: Roller bearings, Toroidal CARB, Full complement, cylindrical bore



Technical specification

DIMENSIONS, MM

d	75,000
D	105,000
B	54,000

WEIGHT, KG 1,400

MANUFACTURER [SKF](#)

CALCULATION DATA

Basic dynamic load rating, C	204,000 kN
Basic static load rating, Co	325,000 kN
Fatigue load limit, Pu	37,500 kN
Limiting speed	1600 r/min