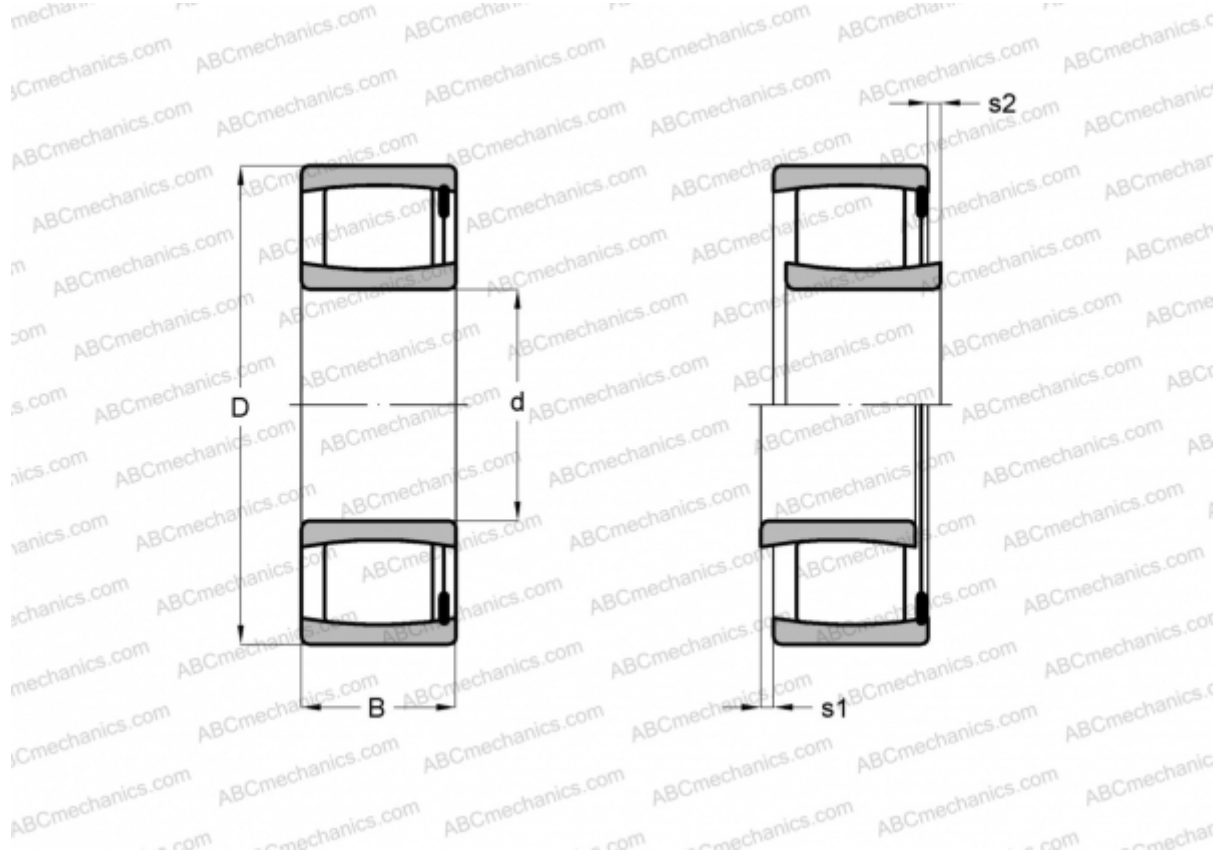


BSC-2034 V SKF

CARB toroidal roller bearings

TYPE: Roller bearings, Toroidal CARB, Full complement, cylindrical bore



Technical specification

DIMENSIONS, MM

d	100,000
D	170,000
B	65,000

WEIGHT, KG 5,950

MANUFACTURER [SKF](#)

CALCULATION DATA

Basic dynamic load rating, C	475,000 kN
Basic static load rating, Co	655,000 kN
Fatigue load limit, Pu	69,500 kN
Limiting speed	1400 r/min