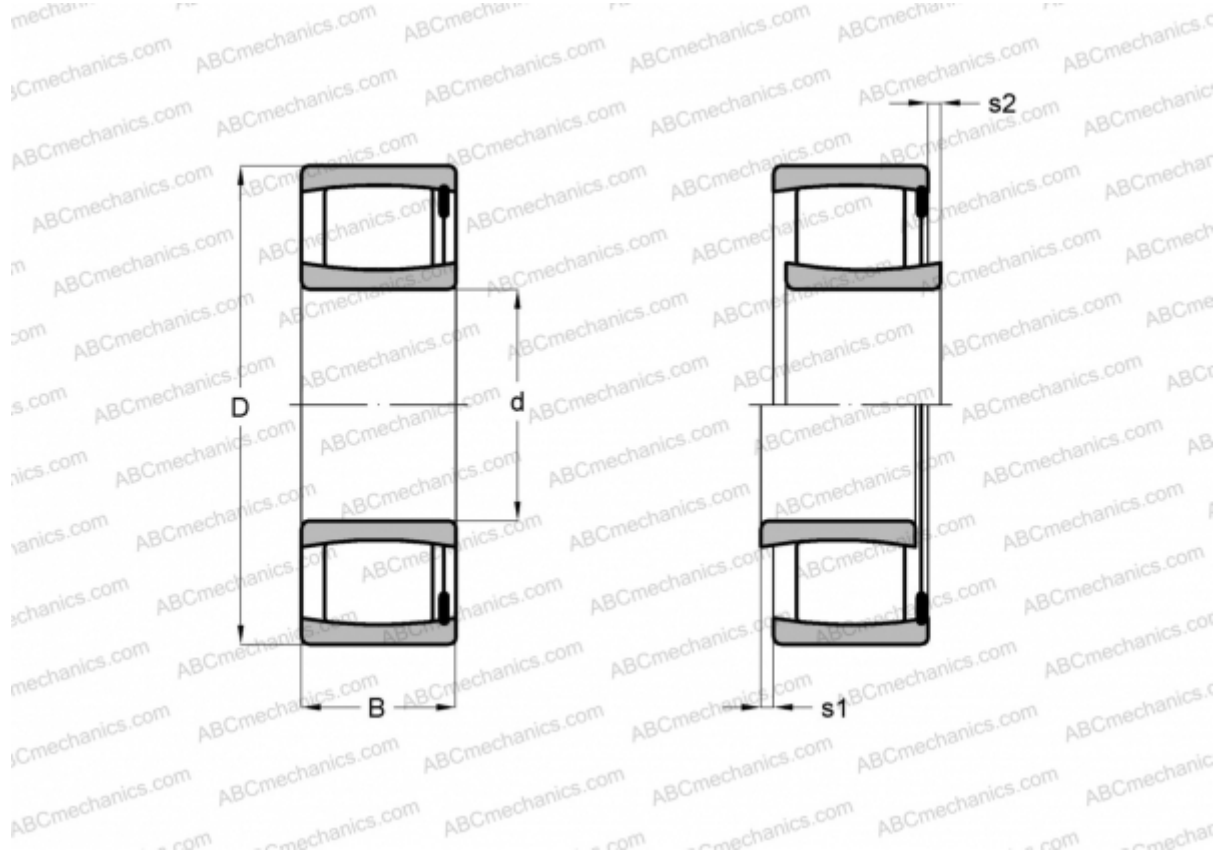


## C 4126 V/VE240 SKF

CARB toroidal roller bearings

TYPE: Roller bearings, Toroidal CARB, Full complement, cylindrical bore



### Technical specification

#### DIMENSIONS, MM

d	130,000
D	210,000
B	80,000

**WEIGHT, KG** 10,500

**MANUFACTURER** [SKF](#)

#### CALCULATION DATA

Basic dynamic load rating, C	750,000 kN
Basic static load rating, Co	1100,000 kN
Fatigue load limit, Pu	108,000 kN
Limiting speed	670 r/min